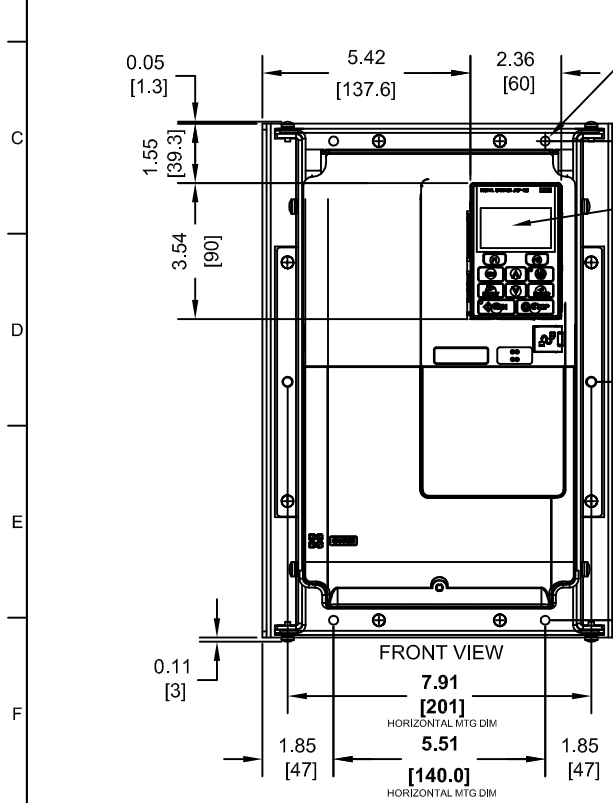


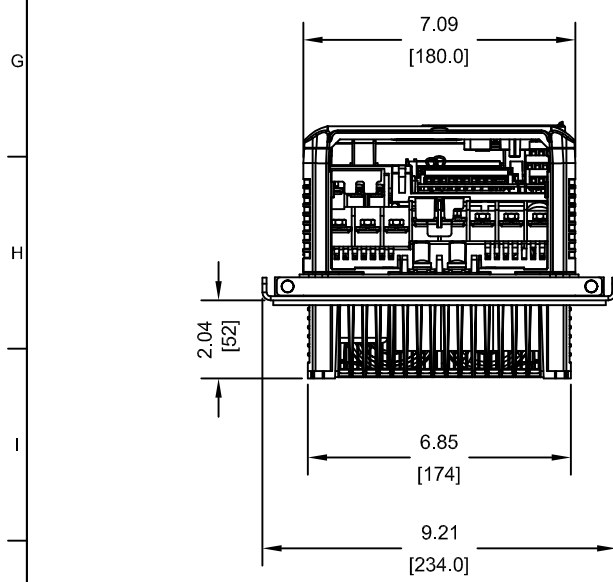
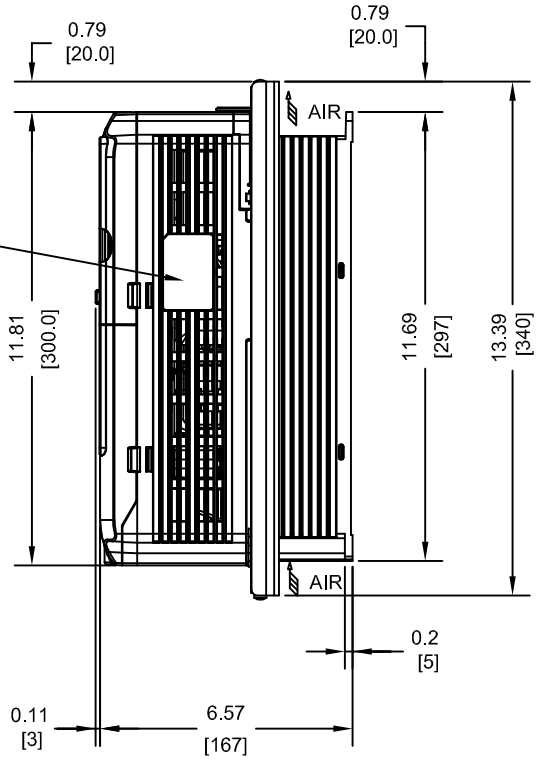
NOTE:  
MAXIMUM SURROUNDING AIR TEMPERATURE RATING IS 122F(50C).



(6)-MOUNTING HOLES FOR #10[M5] SCREWS

DIGITAL OPERATOR

NAMEPLATE



MODEL # CIMR-PU	VOLTAGE THREE-PHASE (VAC)	OUTPUT CURRENT (A)	WEIGHT LBS (Kg)	HEAT LOSS (W) (Fc=2kHz)		
				INT	EXT	TOT
4A0031UXX	380/480	31.0	12.5 (5.7)	160.5	294.6	455.1

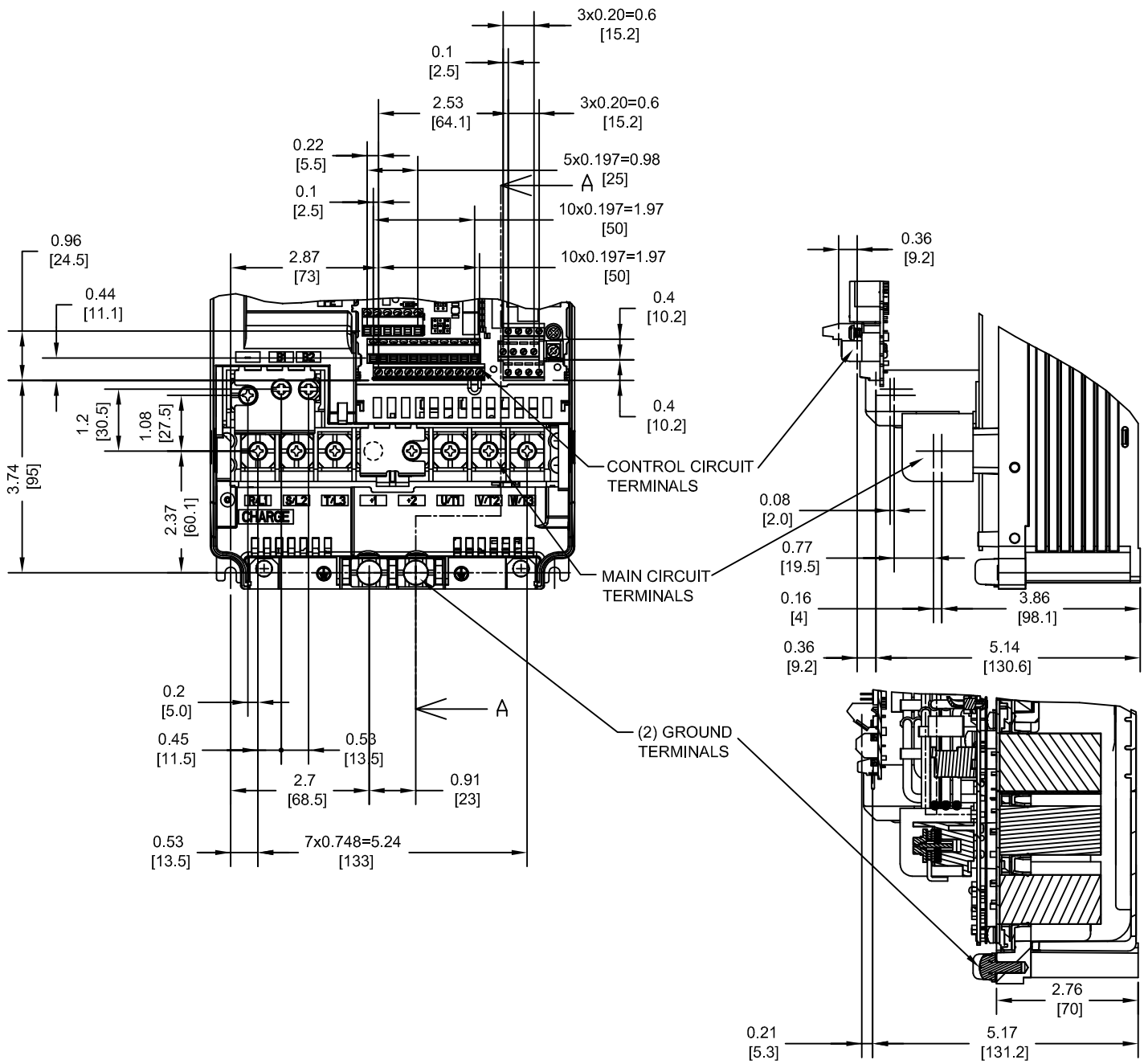
NOTE:  
XX DENOTES AA-ZZ

INT=INTERNAL COMPONENTS  
EXT=EXTERNAL HEATSINK  
TOT=TOTAL

FOR ADDITIONAL DETAILS AND SPECIFICATIONS, CONSULT MANUAL

TOLERANCES / REFERENCES:		DRAWN: J. MATTAS DATE: 11-6-12	TITLE: P1000 DIMENSION DRAWING FRAME SIZE 4 DESIGNED FOR IP54/N12 ENCLOSURES 4A0031			
		CHECKED: J. PIOTROWSKI DATE: 1-17-13	TECH: J. BORJA DATE: 1-22-13	APPROVED: J. CAIRO DATE: 5-29-13	SIZE A	REVISION R00
UNITS: IN [mm]	SCALE: 1:5	THIS DOCUMENT AND INFORMATION CONTAINED IN IT ARE CONFIDENTIAL, AND CANNOT BE COPIED OR DISCLOSED IN WHOLE OR IN PART WITHOUT THE EXPRESS WRITTEN CONSENT OF YASKAWA AMERICA, INC.		DRAWING #: DD.P1K.FR4.FLNG		

TERMINAL AND WIRING DETAILS (SCALE 1:3)



TERMINAL AND WIRE SPECIFICATIONS FOR MAIN CIRCUIT AND GROUND

SECTION A-A

MODEL # CIMR-PU	TERMINAL SYMBOL	TERMINAL SCREW	CLAMPING TORQUE lb.in.(N.m.)	WIRE RANGE AWG(mm <sup>2</sup> )
4A0031	R/L1, S/L2, T/L3	M5	17.7 TO 22.1 (2 TO 2.5)	8-6 (10-16)
	U/T1, V/T2, W/T3			10-6 (6.0-16)
	⊖, ⊕1, ⊕2,			10-6 (6.0-16)
	B1, B2	10-8 (6.0-10)		
	⊕	M6	35.4 TO 53.1 (4 TO 6)	10-8 (6.0-10)

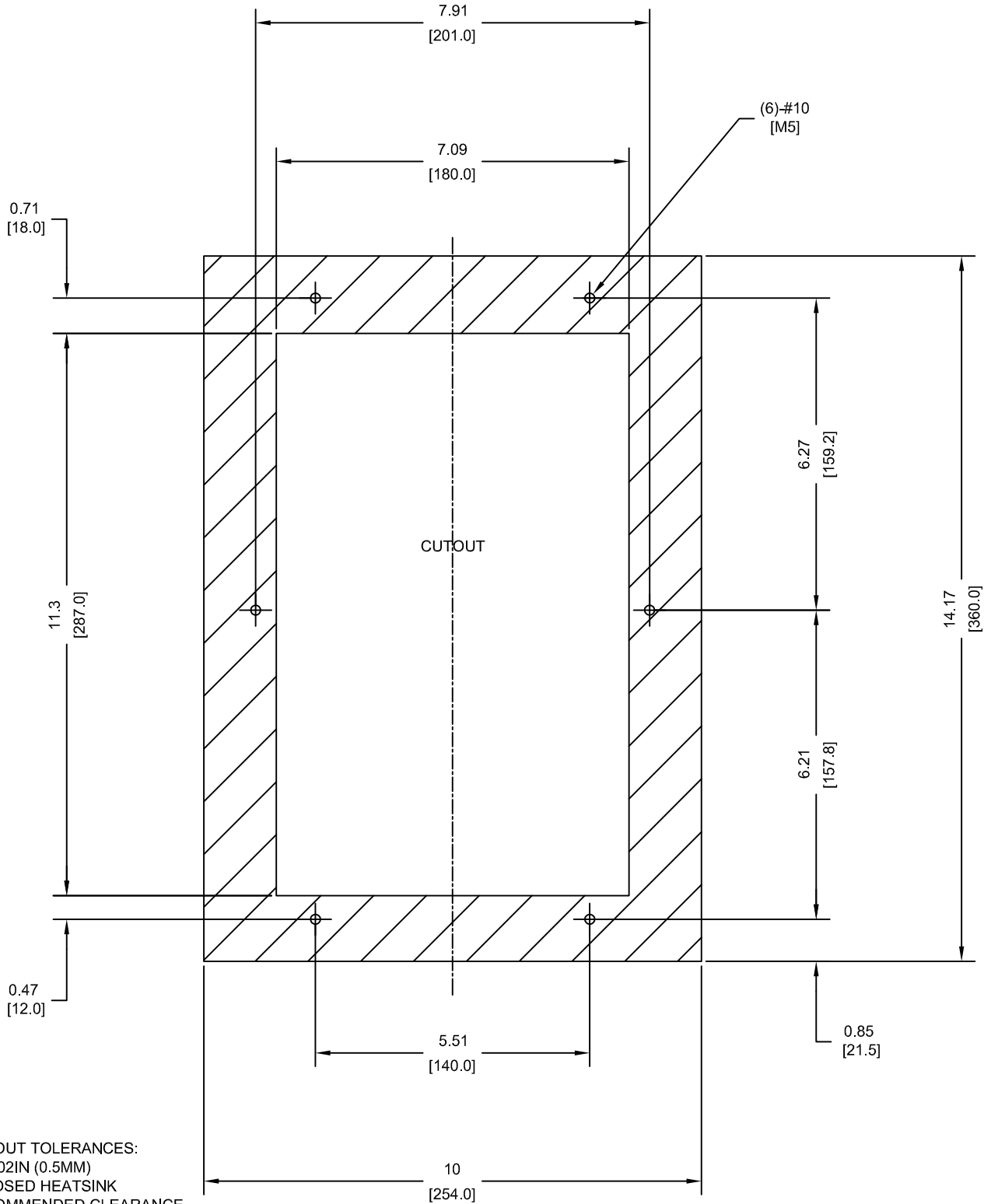
NOTE: REFER TO APPLICABLE CODES FOR PROPER WIRE TYPE AND SIZE

FOR ADDITIONAL DETAILS AND SPECIFICATIONS, CONSULT MANUAL

TOLERANCES / REFERENCES:		DRAWN: J. MATTAS DATE: 11-6-12	TITLE: P1000 DIMENSION DRAWING FRAME SIZE 4 DESIGNED FOR IP54/N12 ENCLOSURES 4A0031		
		CHECKED: J. PIOTROWSKI DATE: 1-17-13	TECH: J. BORJA DATE: 1-22-13	REVISION: R00	PAGE: 2 of 3
UNITS: IN [mm]	SCALE: BY VIEW	APPROVED: J. CAIRO DATE: 5-29-13	ORIGINAL DESIGN: -	DATE: -	DRAWING #: DD.P1K.FR4.FLNG

THIS DOCUMENT AND INFORMATION CONTAINED IN IT ARE CONFIDENTIAL, AND CANNOT BE COPIED OR DISCLOSED IN WHOLE OR IN PART WITHOUT THE EXPRESS WRITTEN CONSENT OF YASKAWA AMERICA, INC.


PANEL CUTOUT FOR EXTERNAL HEATSINK  
MOUNTING CONFIGURATION (SCALE 1:3)



NOTES:

1. CUTOUT TOLERANCES:  
+/- 0.02IN (0.5MM)
2. EXPOSED HEATSINK  
RECOMMENDED CLEARANCE  
D=2.36" MINUS PANEL THICKNESS

FOR ADDITIONAL DETAILS AND SPECIFICATIONS, CONSULT MANUAL

TOLERANCES / REFERENCES:		 THIS DOCUMENT AND INFORMATION CONTAINED IN IT ARE CONFIDENTIAL, AND CANNOT BE COPIED OR DISCLOSED IN WHOLE OR IN PART WITHOUT THE EXPRESS WRITTEN CONSENT OF YASKAWA AMERICA, INC.	DRAWN: J. MATTAS CHECKED: J. PIOTROWSKI TECH: J. BORJA APPROVED: J. CAIRO ORIGINAL DESIGN: -	DATE: 11-6-12 DATE: 1-17-13 DATE: 1-22-13 DATE: 5-29-13 DATE: -	TITLE: P1000 DIMENSION DRAWING FRAME SIZE 4 DESIGNED FOR IP54/N12 ENCLOSURES 4A0031 DRAWING #: DD.P1K.FR4.FLNG
UNITS: IN [mm]	SCALE: BY VIEW		SIZE: A	REVISION: R00	PAGE: 3 of 3