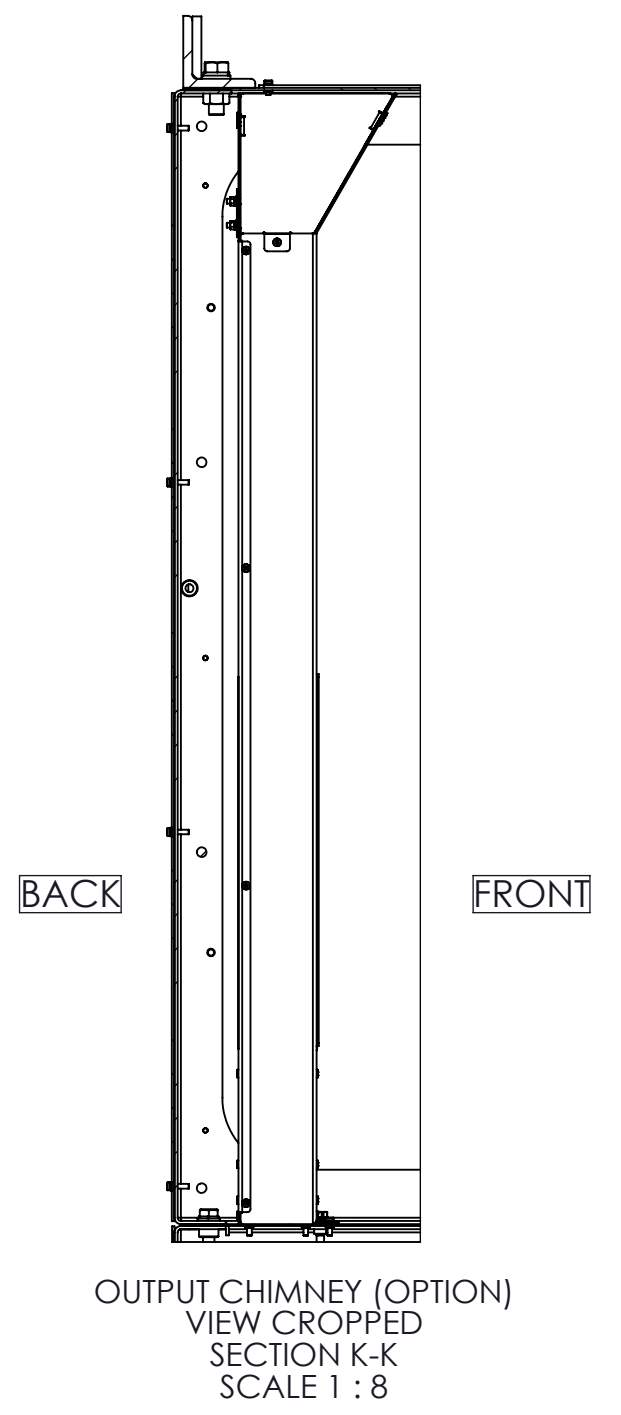
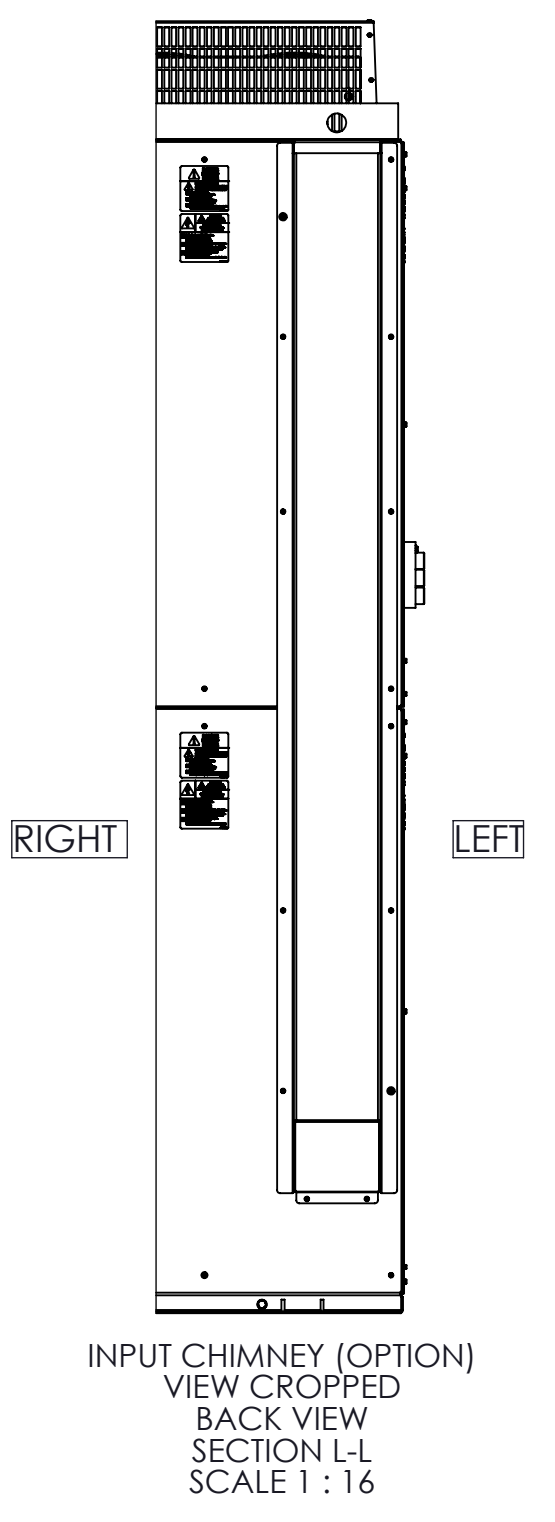
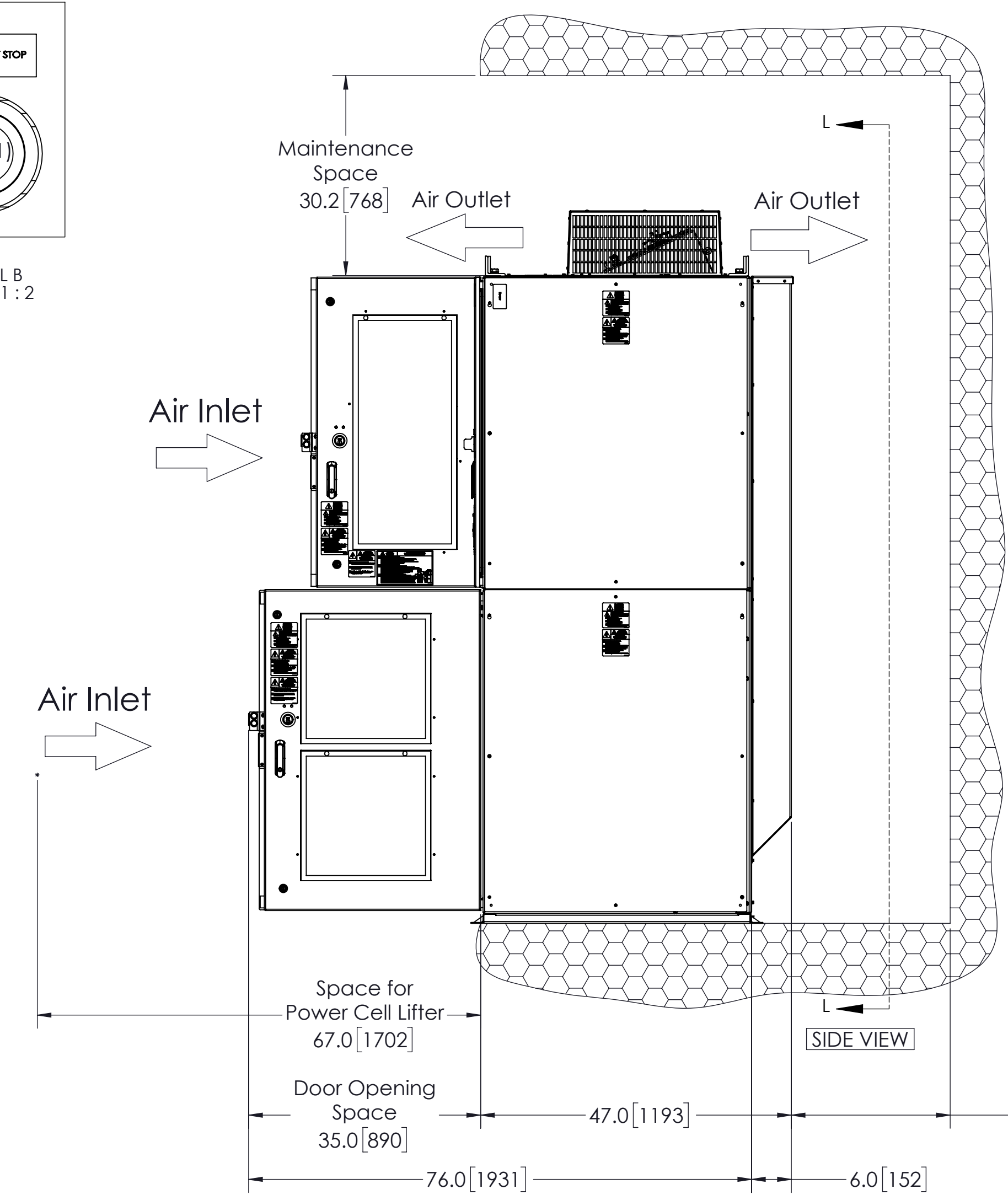
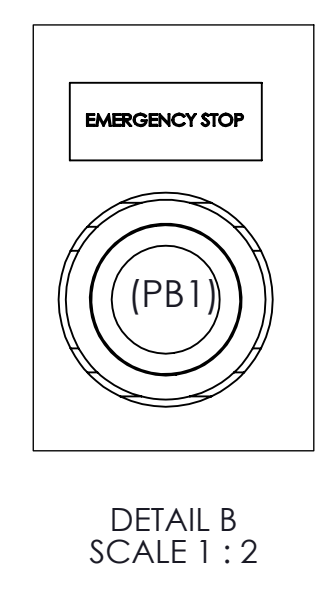
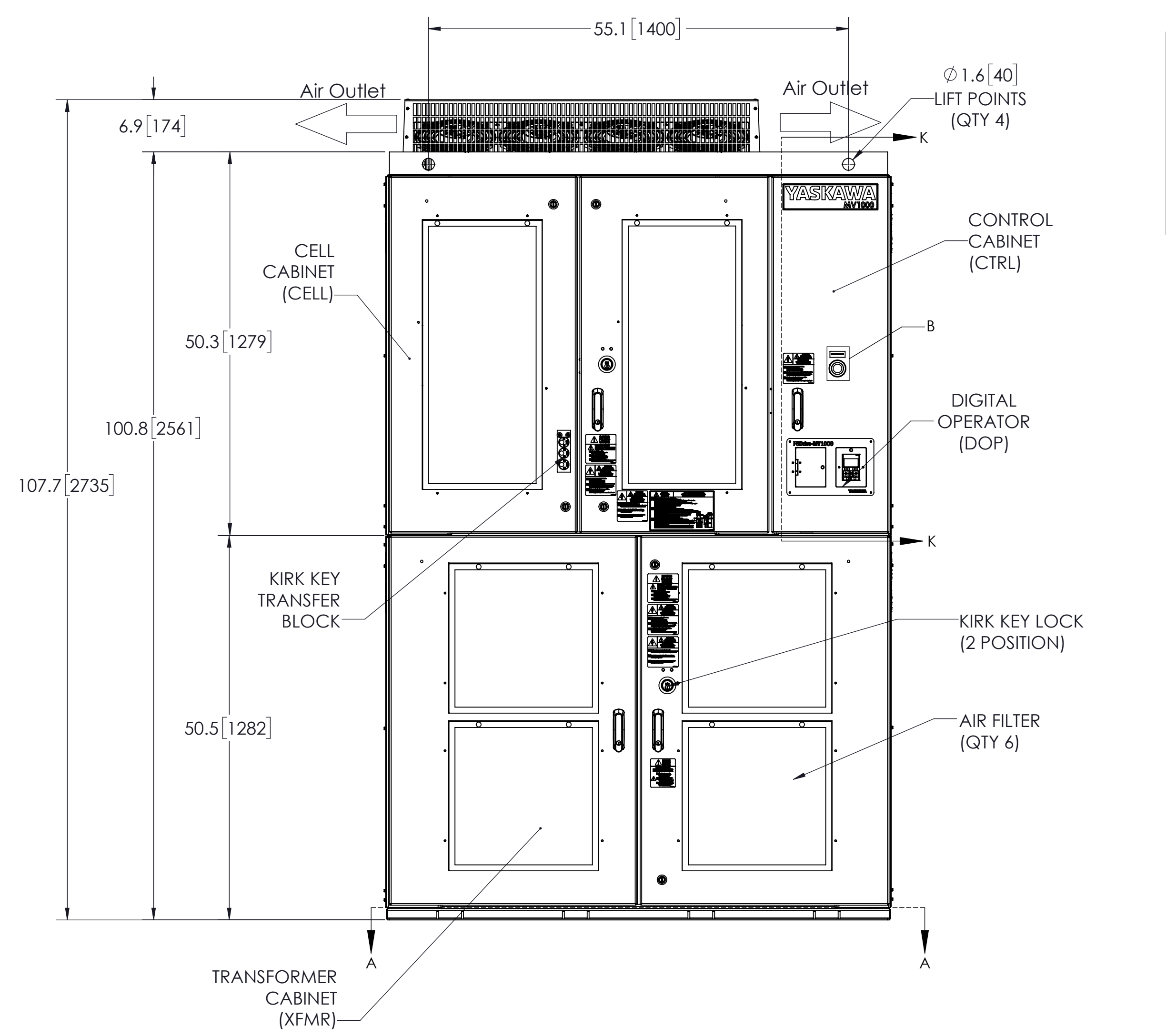
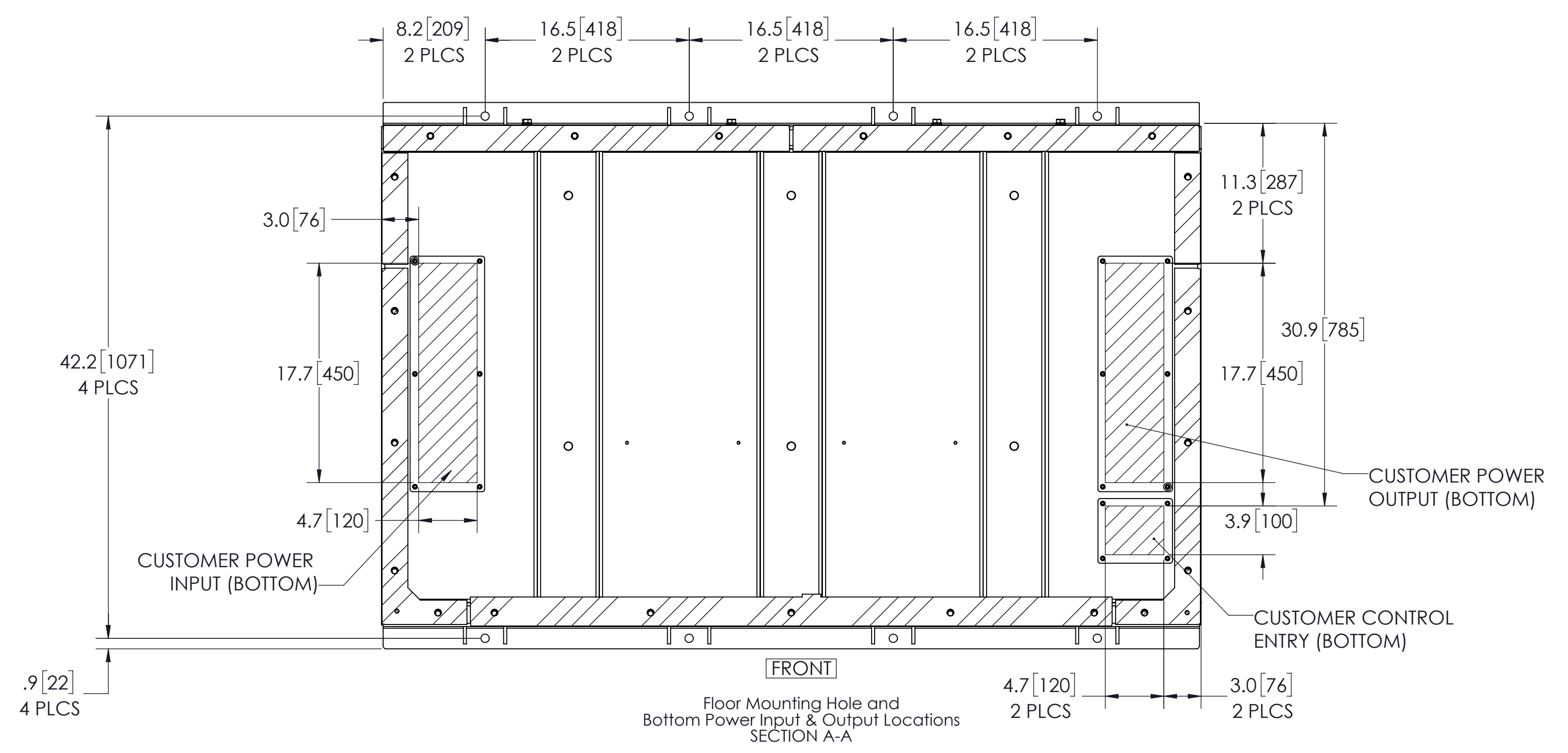
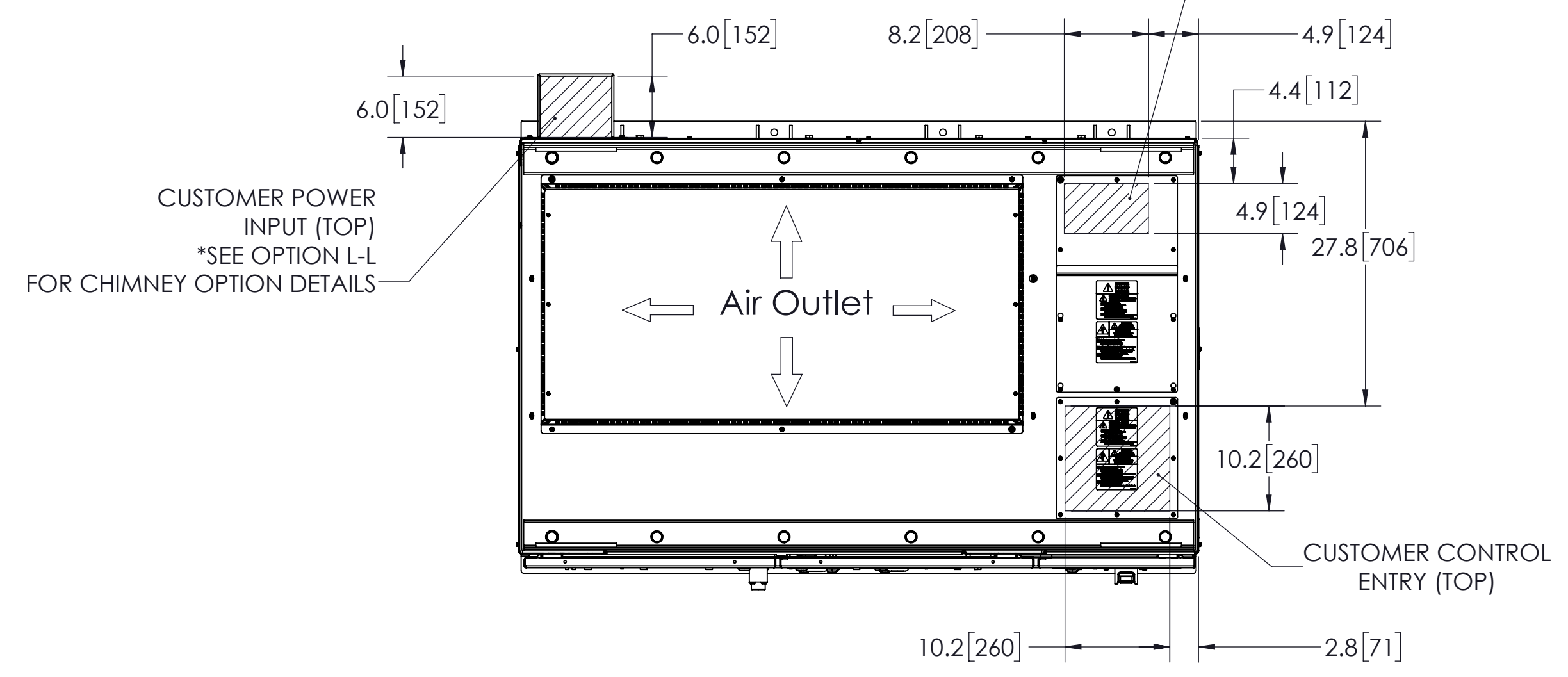


MODEL #	INPUT VOLTAGE (kV)	VOLTAGE CLASS (kV) (MOTOR)	DRIVE CURRENT RATING (A)	RATED POWER (HP)	HEAT DISSIPATION (kW)	TOTAL WEIGHT (lbs)[kg]*	WIDTH (Inches [mm])	DEPTH (Inches [mm])	HEIGHT (Inches [mm])
MV2UA6AA115E1ABA	2.4	2.4	115	500	11.2	EST. 6800 [3084]	66.4 [1685]	41.5 [1055]	109.3 [2776]
MV2UA6AA135E1ABA			135	600	13.4				
MV2UD6DA115E1ABA	4.16	4.16	115	900	20.1	EST. 7359 [3338]	66.4 [1685]	41.5 [1055]	109.3 [2776]
MV2UD6DA125E1ABA			125	1000	22.4				

* DOES NOT INCLUDE SHIPPING CONTAINER

CUSTOMER POWER EXIT (TOP)
*SEE SECTION K-K FOR CHIMNEY OPTION DETAILS



- NOTES:
- FOR REFERENCE UNLESS PROPERLY ENDORSED. FOR ADDITIONAL DETAILS AND SPECIFICATIONS, CONSULT YASKAWA AMERICA, INC.
 - DIMENSIONS ARE IN INCHES[MILLIMETERS]
 - USE APPROPRIATE TYPE RATED HUBS OR FITTINGS TO MAINTAIN ENCLOSURE RATING.
 - HATCHED AREA INDICATES PERMISSIBLE CABLE/CONDUIT ENTRANCE AREA.

YASKAWA		DRAWN: E. Rashed	DATE: 06/25/2019	TITLE: DIMENSIONAL DRAWING, MV1000, FRM 1, W/O SG
		CHECKED: C. Michalek	DATE: 8/25/2019	
		TECH: -	DATE: -	
		APPROVED: B. Schowanson	DATE: 06/25/2019	
		ORIGINAL DESIGN: E. Rashed	DATE: 06/25/2019	
		MATERIAL#		SEE TABLE
		SIZE D	REVISION A	PAGE 1 OF 2
		DRAWING #:		DD.MV1K.FR1.N1.NG.04

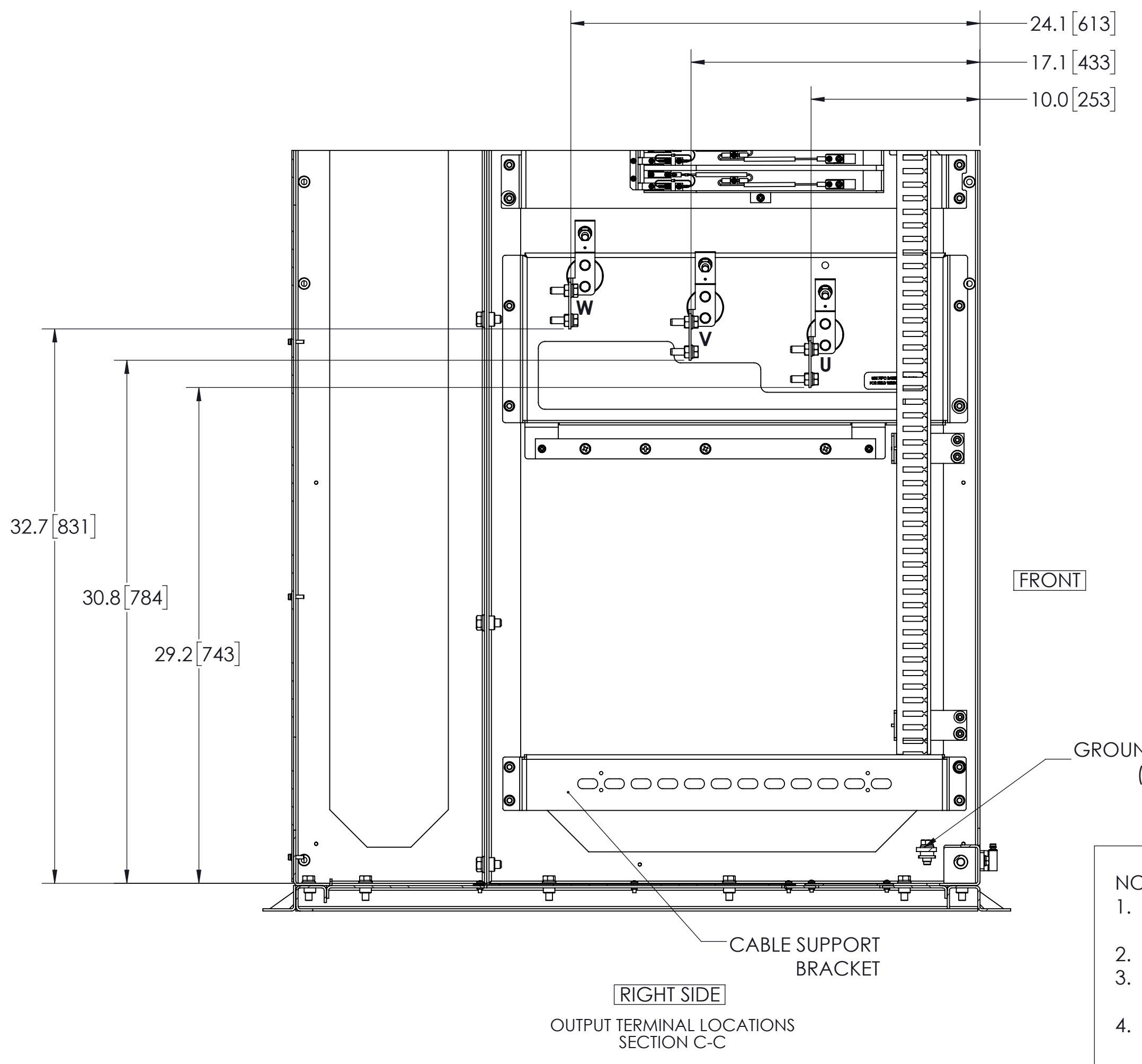
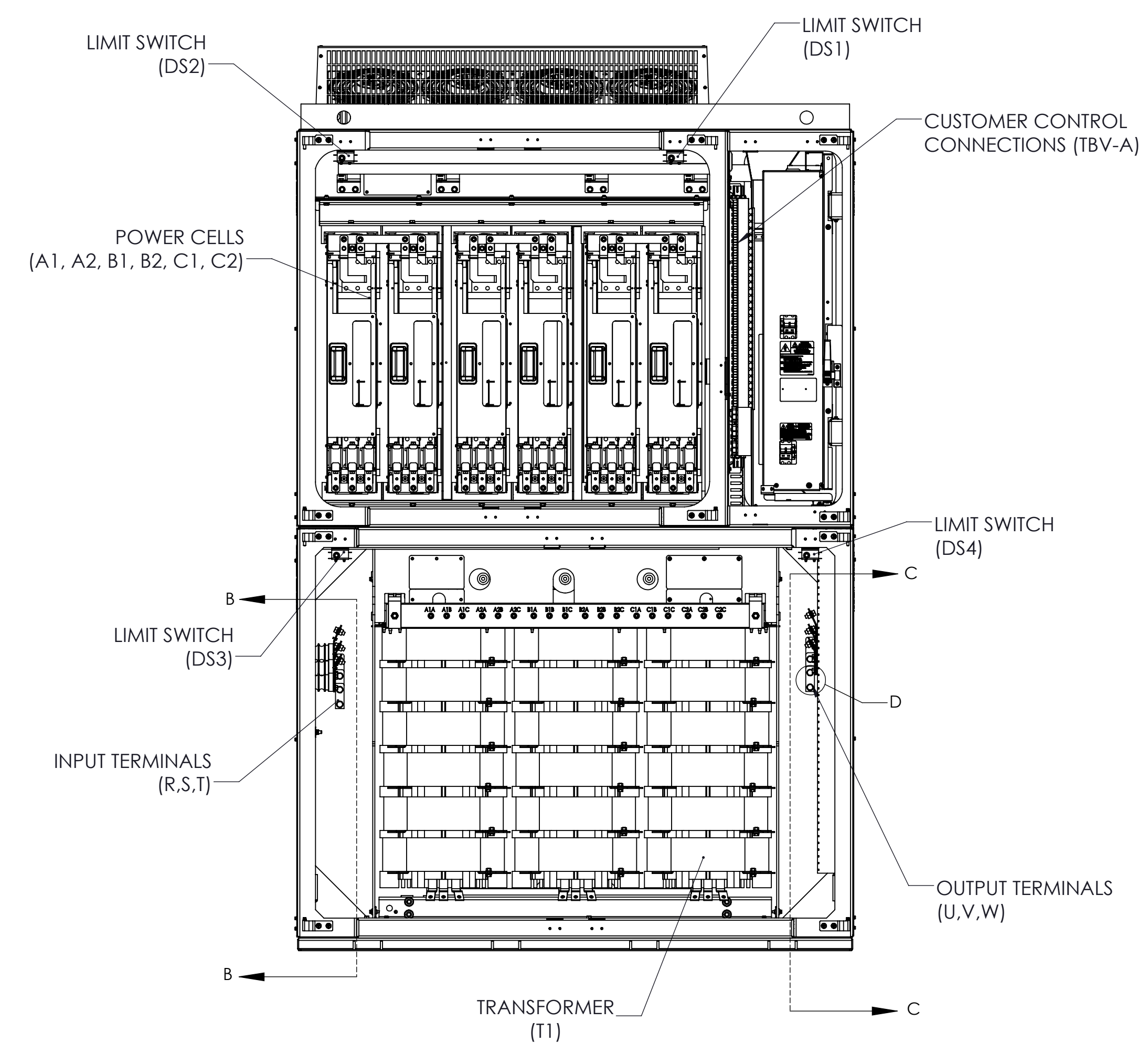
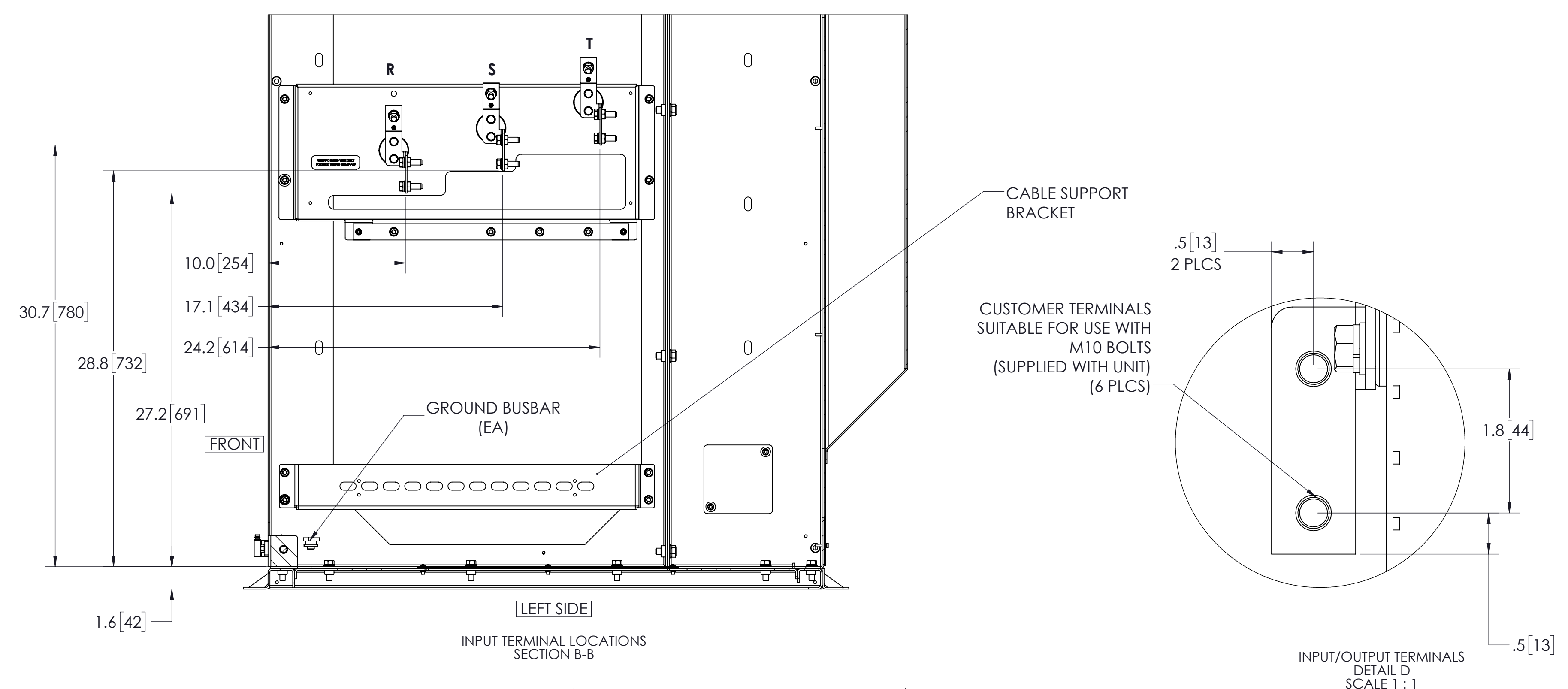
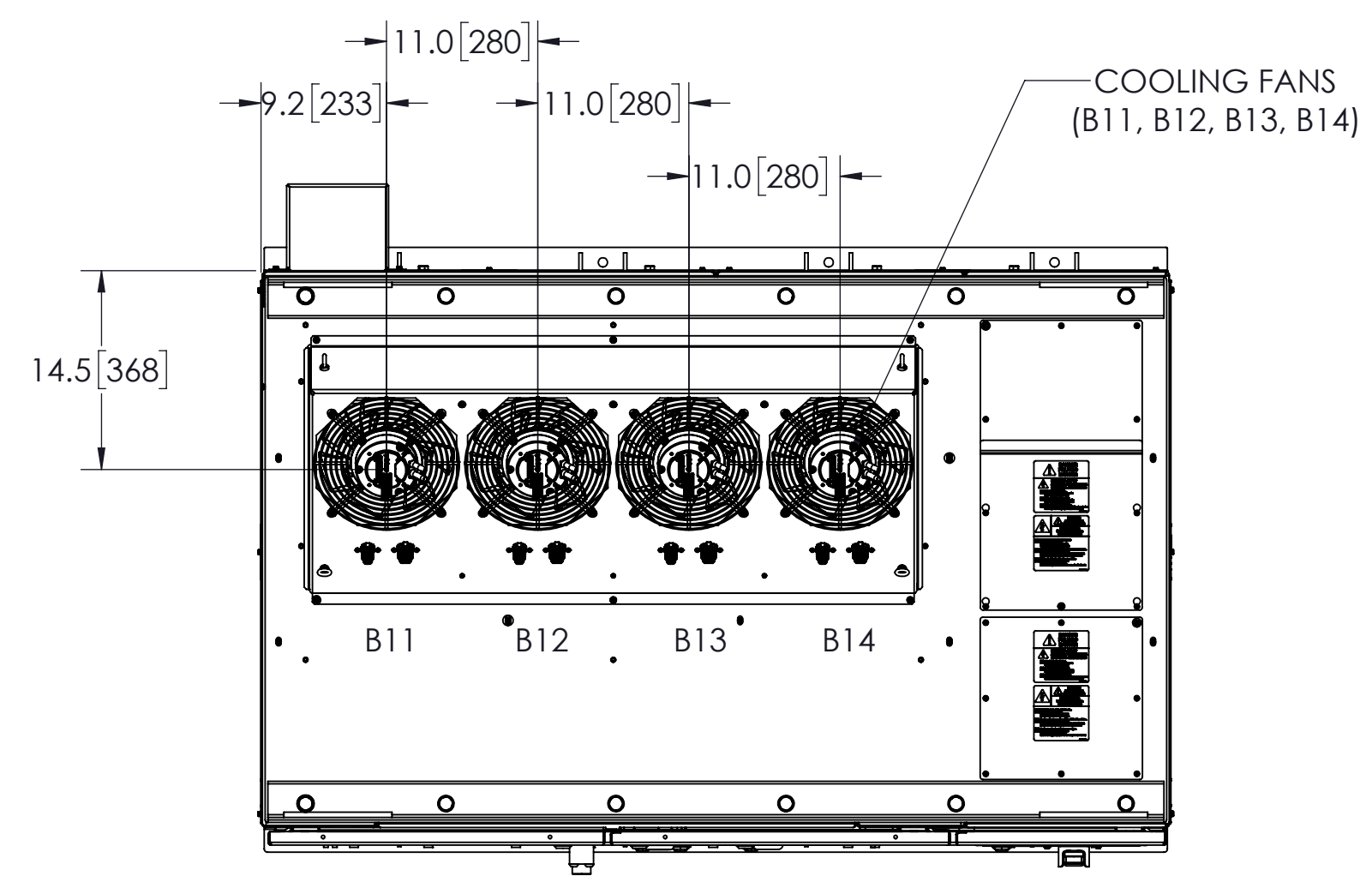
REV.	DESCRIPTION	ECR#	DRAWN BY	DATE
00	INITIAL RELEASE	-	NJD	11/22/2019

nicholas_dubach Friday, November 22, 2019 2:20:28 PM

ENCLOSURE	UL TYPE 1	
COLOR	OUTSIDE	ANSI 61 GRAY
	INSIDE	ANSI 61 GRAY

ITEM NO.	NAME
(XFMR)	TRANSFORMER CABINET
(CELL)	CELL CABINET
(CTRL)	CONTROL CABINET

THIS DOCUMENT AND INFORMATION CONTAINED IN IT ARE CONFIDENTIAL, AND CANNOT BE COPIED OR DISCLOSED IN WHOLE OR IN PART WITHOUT THE EXPRESS WRITTEN CONSENT OF YASKAWA AMERICA INC.



NOTES:

- FOR REFERENCE UNLESS PROPERLY ENDORSED. FOR ADDITIONAL DETAILS AND SPECIFICATIONS, CONSULT YASKAWA AMERICA, INC.
- DIMENSIONS ARE IN INCHES[MILLIMETERS]
- USE APPROPRIATE TYPE RATED HUBS OR FITTINGS TO MAINTAIN ENCLOSURE RATING.
- HATCHED AREA INDICATES PERMISSIBLE CABLE/CONDUIT ENTRANCE AREA.

YASKAWA		DRAWN: E. Rashed	DATE: 06/25/2019	TITLE: DIMENSIONAL DRAWING, MV1000, FRM 1, W/O SG
THIS DOCUMENT AND INFORMATION CONTAINED IN IT ARE CONFIDENTIAL, AND CANNOT BE COPIED OR DISCLOSED IN WHOLE OR IN PART WITHOUT THE EXPRESS WRITTEN CONSENT OF YASKAWA AMERICA INC.		CHECKED: C. Michalek	DATE: 6/25/2019	MATERIAL# SEE TABLE
		APPROVED: B. Schowanson	DATE: 06/25/2019	SIZE D REVISION A PAGE 2 OF 2
		ORIGINAL DESIGN: E. Rashed	DATE: 06/25/2019	DRAWING # DD.MV1K.FR1.N1.NG.04