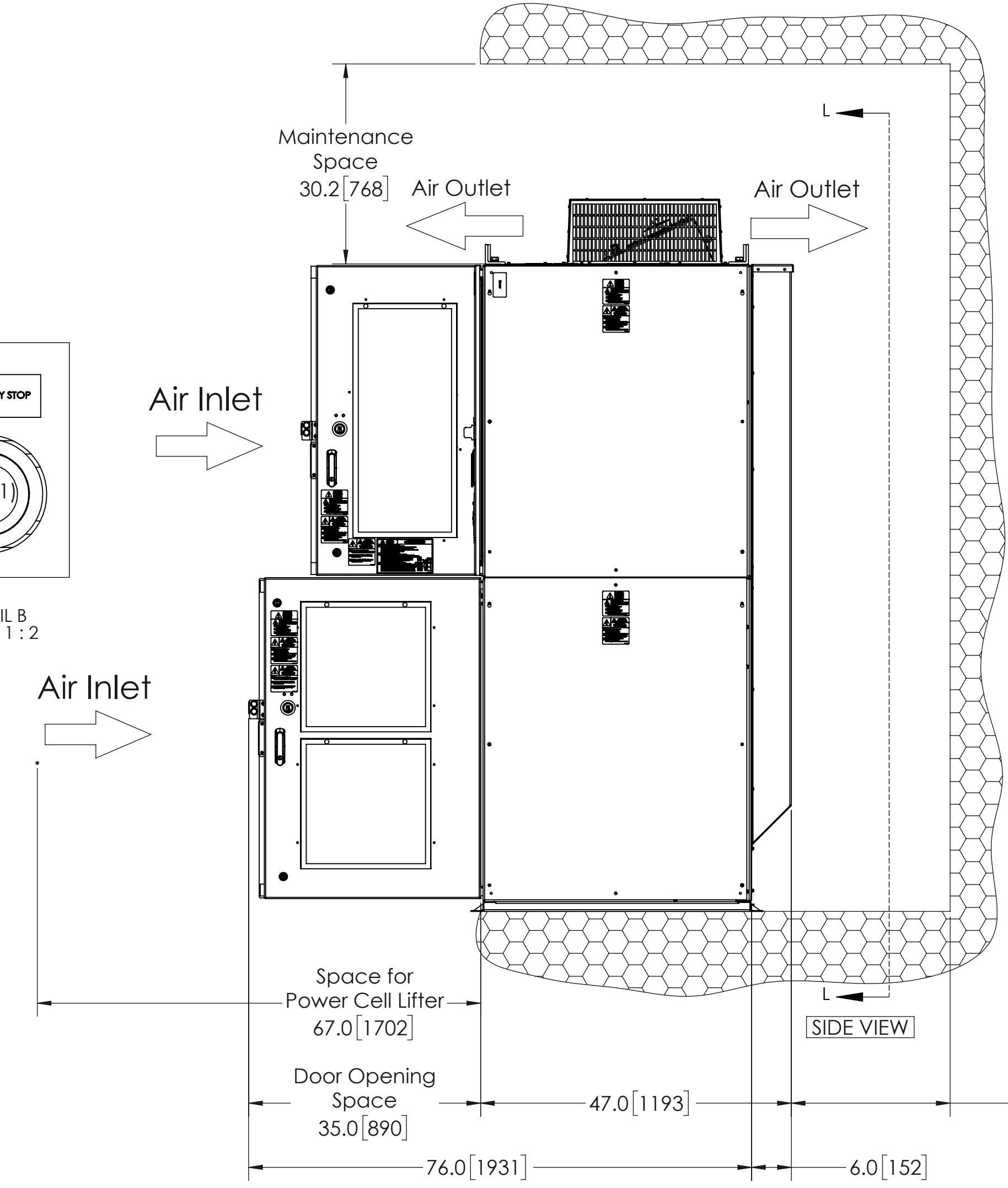
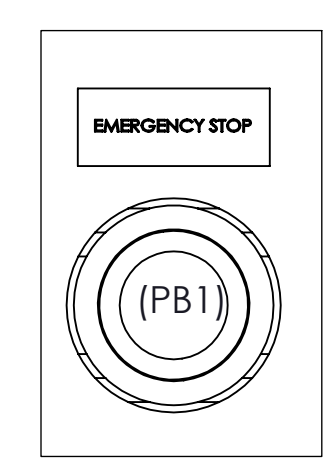
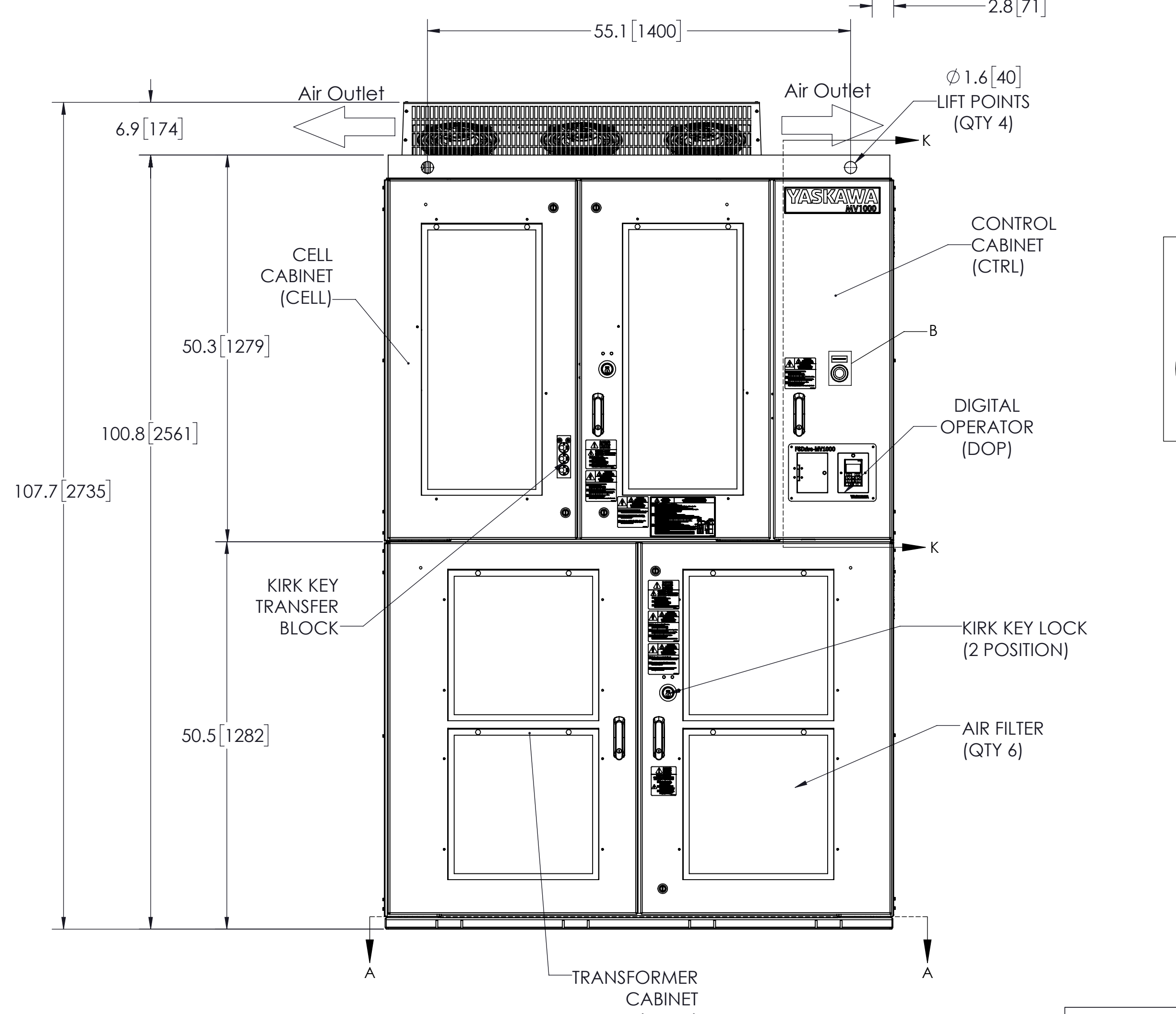
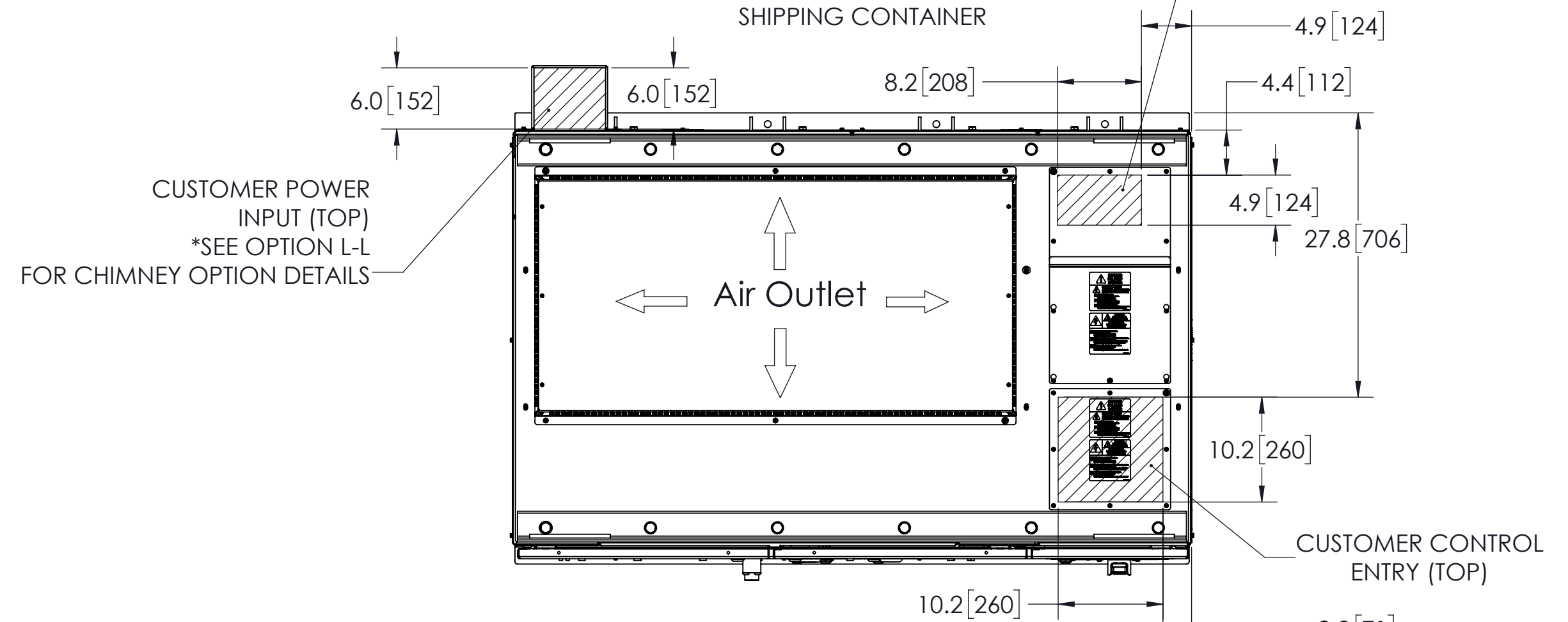


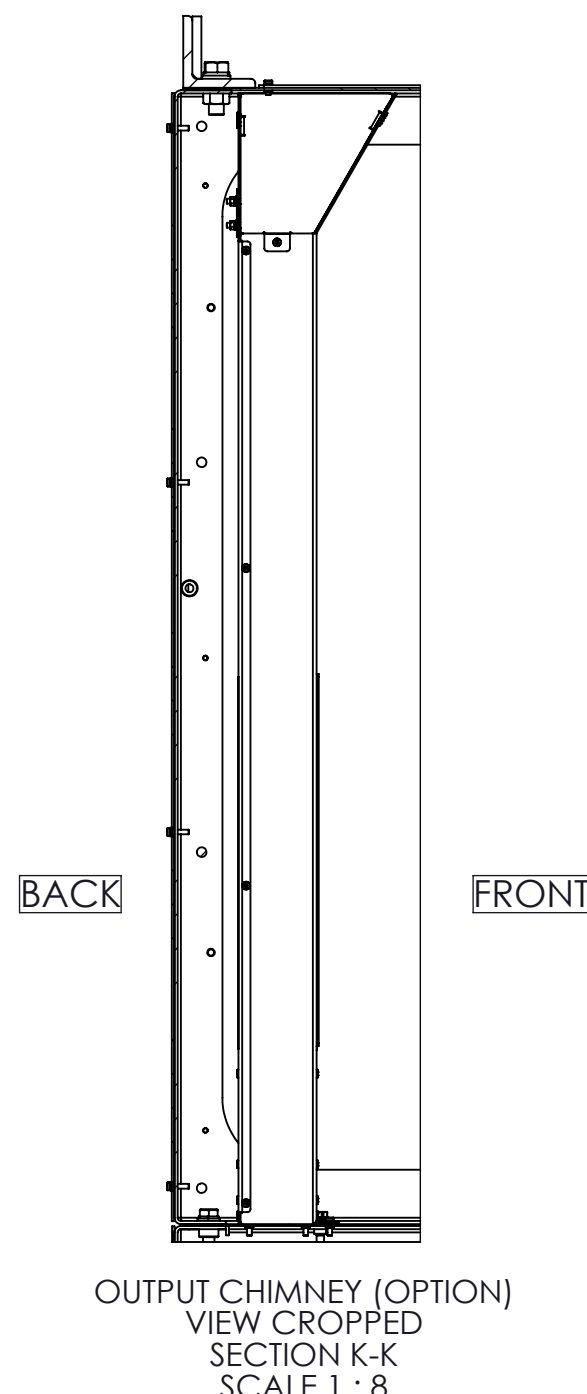
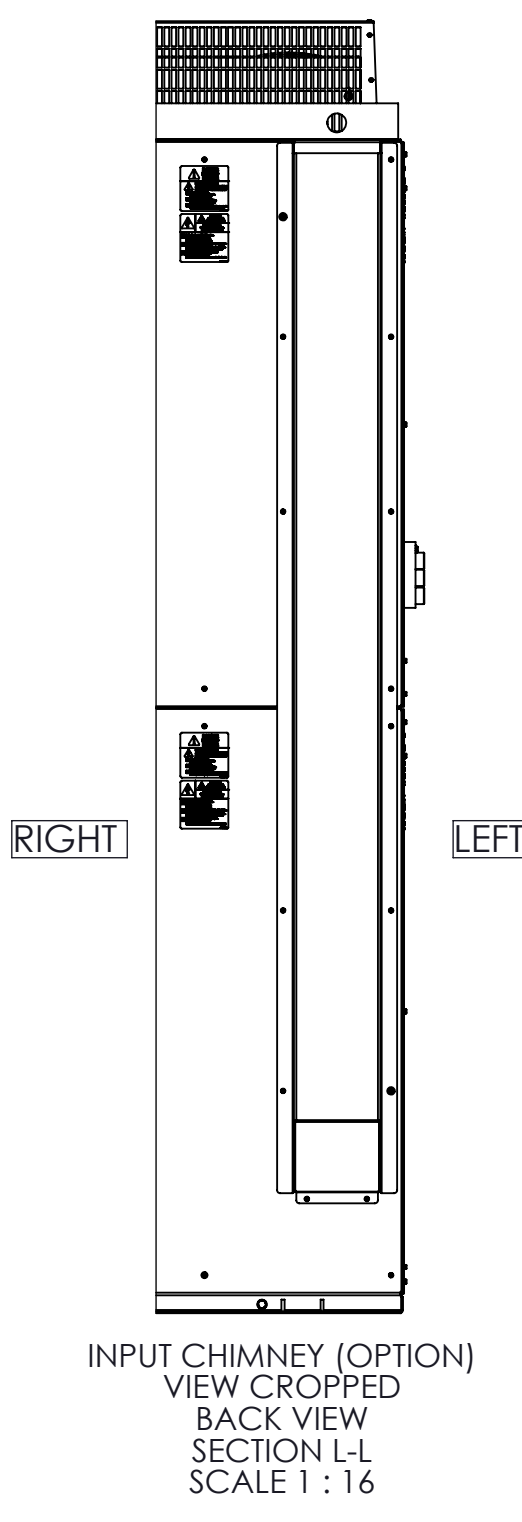
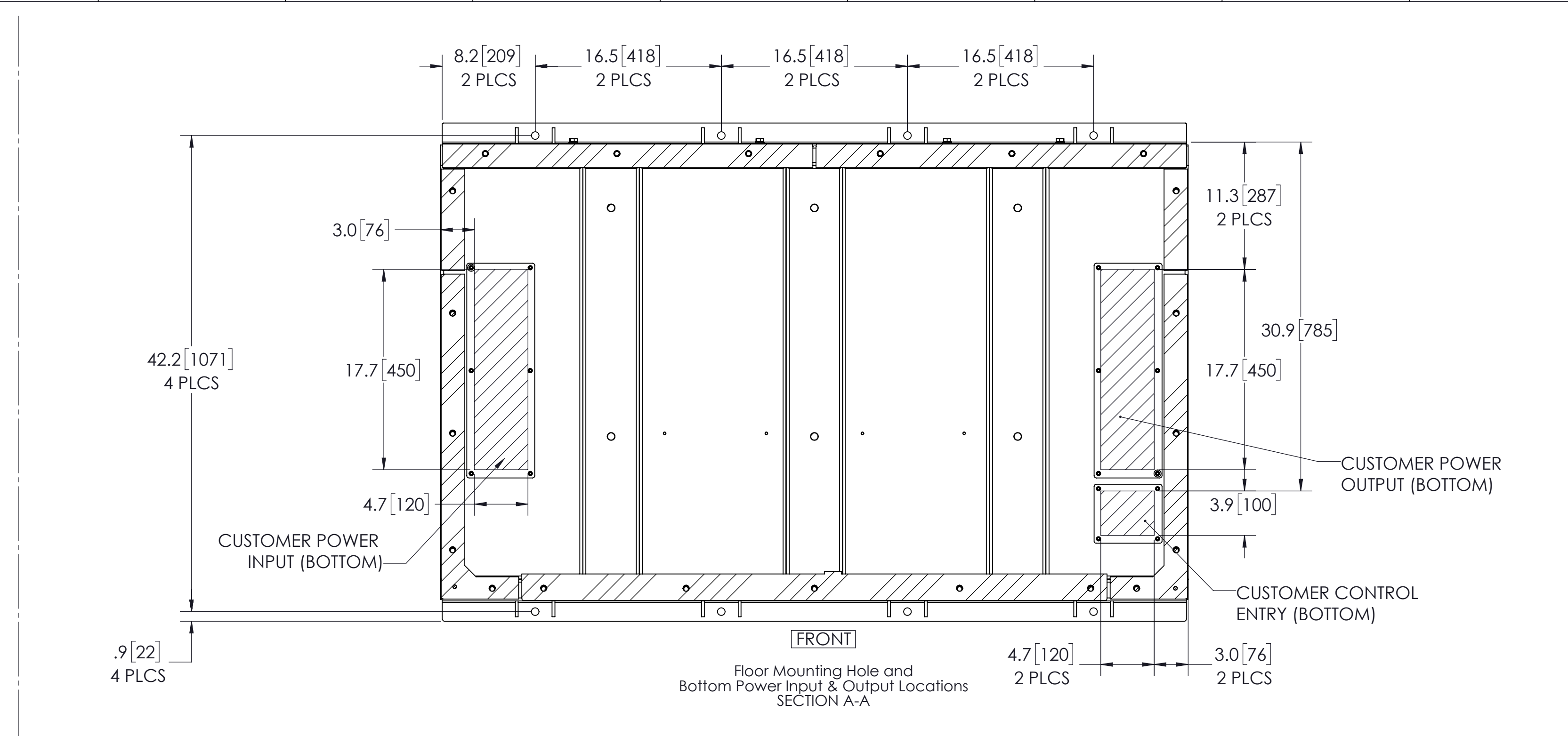
MODEL #	INPUT VOLTAGE (kV)	VOLTAGE CLASS (kV) (MOTOR)	DRIVE CURRENT RATING (A)	RATED POWER (HP)	HEAT DISSIPATION (kW)	TOTAL WEIGHT (lbs)[kg]*	WIDTH (Inches [mm])	DEPTH (Inches [mm])	HEIGHT (Inches [mm])
MV2UA6FA052E1ABA	2.4	2.4	52	200	4.5	EST. 5739 [2603]	66.4 [1685]	41.5 [1055]	109.3 [2776]
MV2UA6FA068E1ABA			68	300	6.7				
MV2UA6FA080E1ABA			80	350	7.8				
MV2UA6FA093E1ABA			93	400	8.9				
MV2UA6FA102E1ABA			102	450	10.1				
MV2UD6FA039E1ABA	4.16	4.16	39	300	6.7	EST. 5835 [2647]	66.4 [1685]	41.5 [1055]	109.3 [2776]
MV2UD6FA052E1ABA			52	400	8.9				
MV2UD6FA058E1ABA			58	450	10.1				
MV2UD6FA064E1ABA			64	500	11.2				
MV2UD6FA077E1ABA			77	600	13.4				
MV2UD6FA093E1ABA			93	700	20.1				
MV2UD6FA102E1ABA			102	800	22.4				

* DOES NOT INCLUDE SHIPPING CONTAINER

CUSTOMER POWER EXIT (TOP)
*SEE SECTION K-K FOR CHIMNEY OPTION DETAILS



Allow 24.0 [610] If Rear Floor Mounting Bolts Are Desired



- NOTES:
- FOR REFERENCE UNLESS PROPERLY ENDORSED. FOR ADDITIONAL DETAILS AND SPECIFICATIONS, CONSULT YASKAWA AMERICA, INC.
 - DIMENSIONS ARE IN INCHES[MILLIMETERS]
 - USE APPROPRIATE TYPE RATED HUBS OR FITTINGS TO MAINTAIN ENCLOSURE RATING.
 - HATCHED AREA INDICATES PERMISSIBLE CABLE/CONDUIT ENTRANCE AREA.

REV.	DESCRIPTION	ECR#	DRAWN BY	DATE
00	INITIAL RELEASE	-	NJD	11/22/2019

nicholas_dubach Friday, November 22, 2019 1:18:16 PM

ENCLOSURE	UL TYPE 1
COLOR	OUTSIDE: ANSI 61 GRAY INSIDE: ANSI 61 GRAY

ITEM NO.	NAME
(XFMR)	TRANSFORMER CABINET
(CELL)	CELL CABINET
(CTRL)	CONTROL CABINET

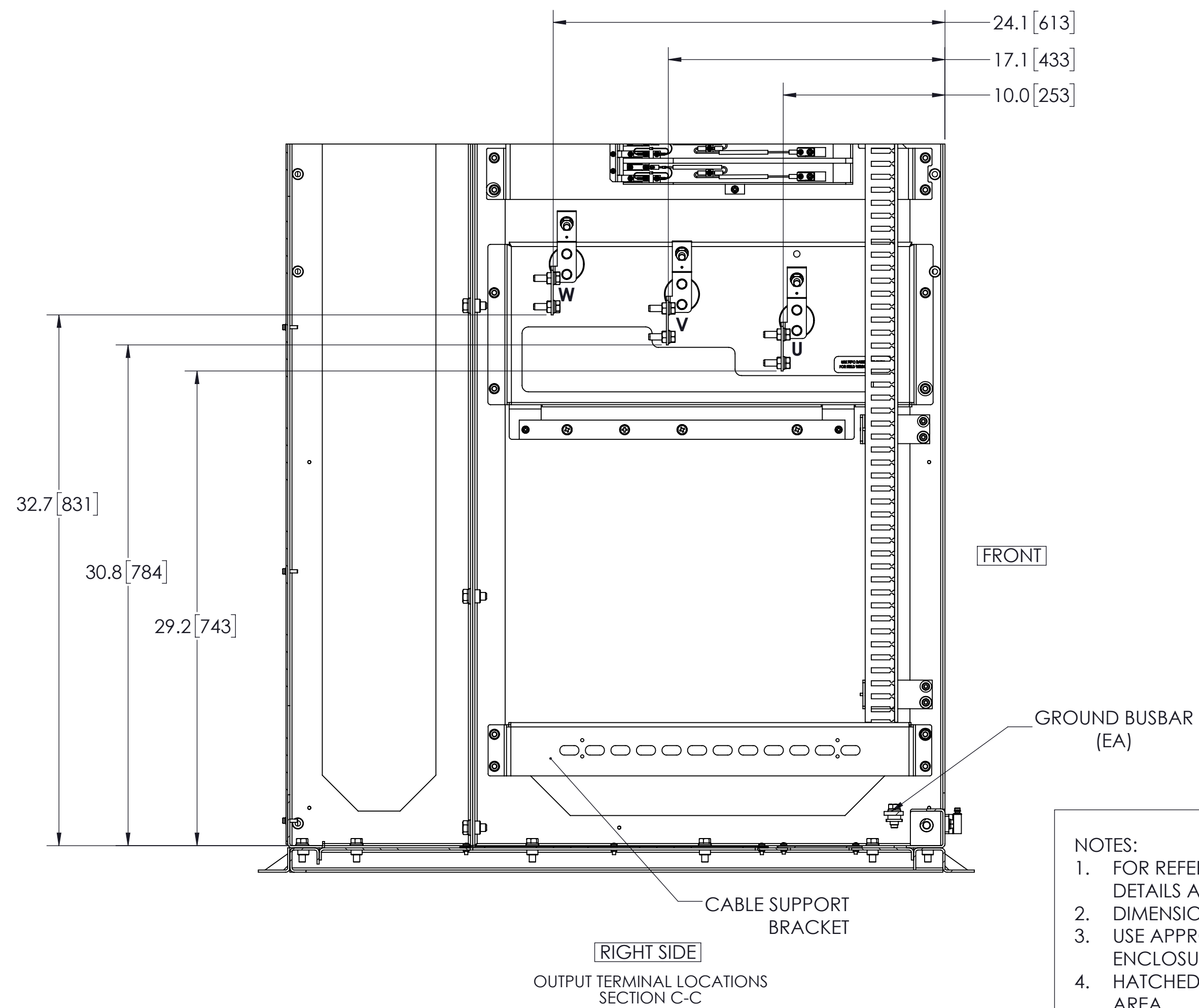
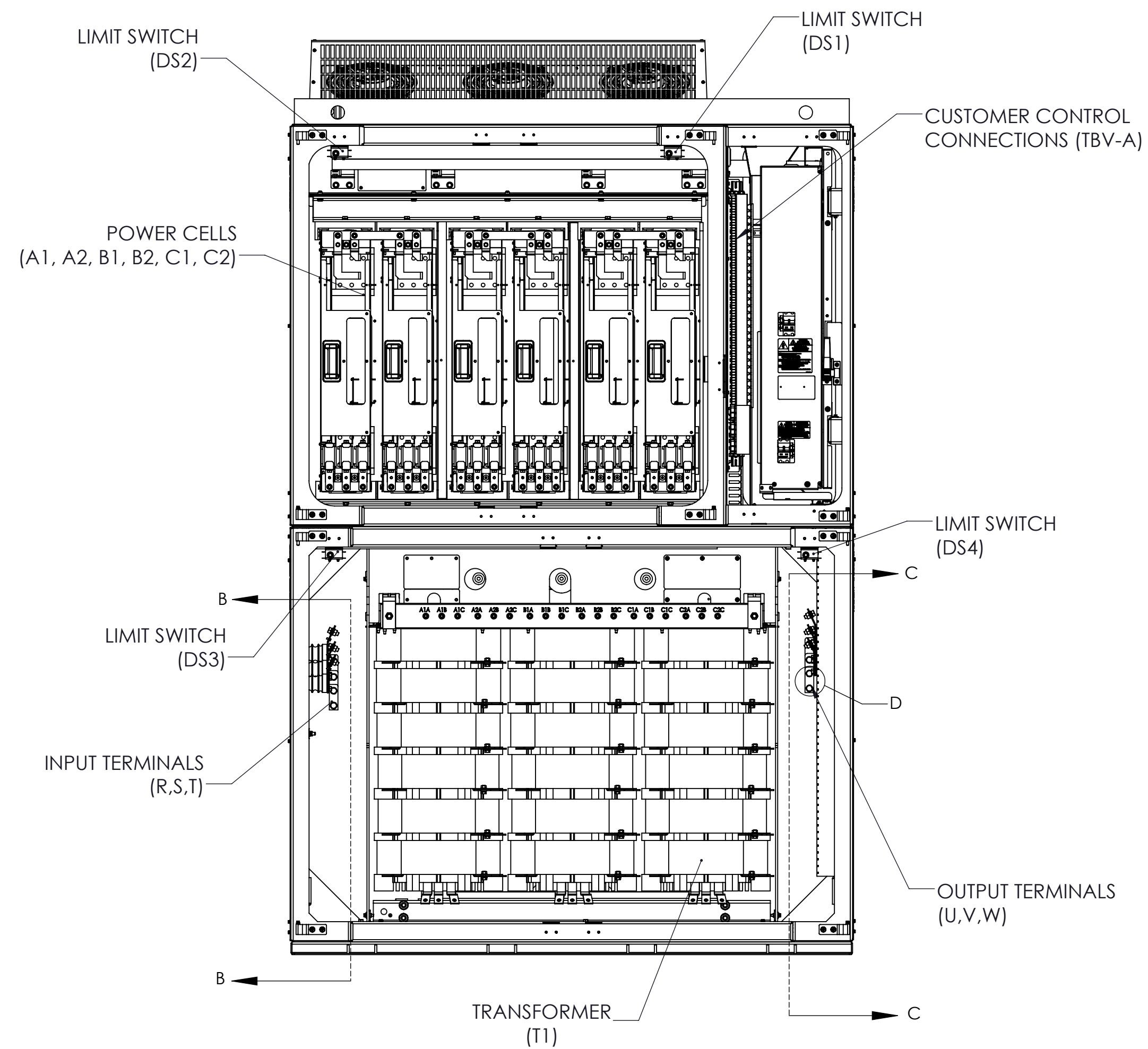
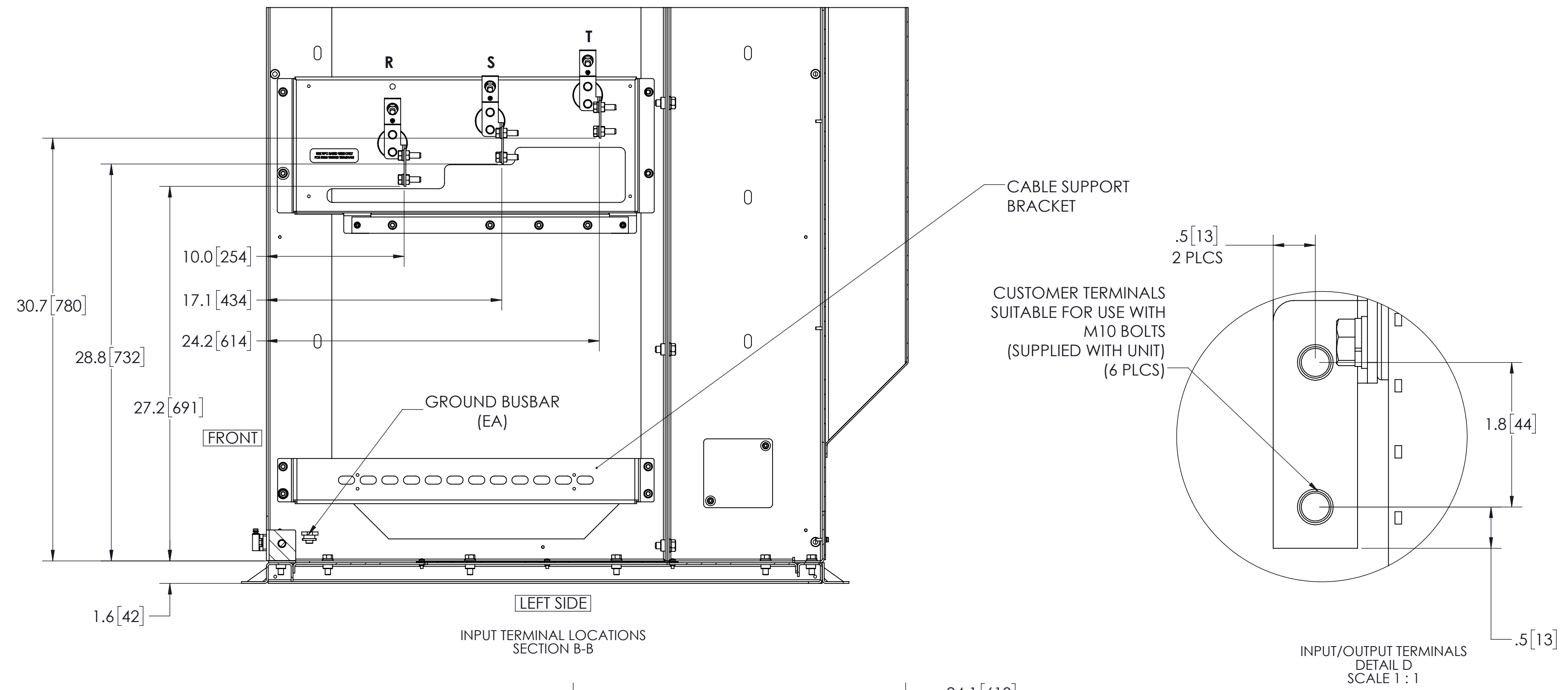
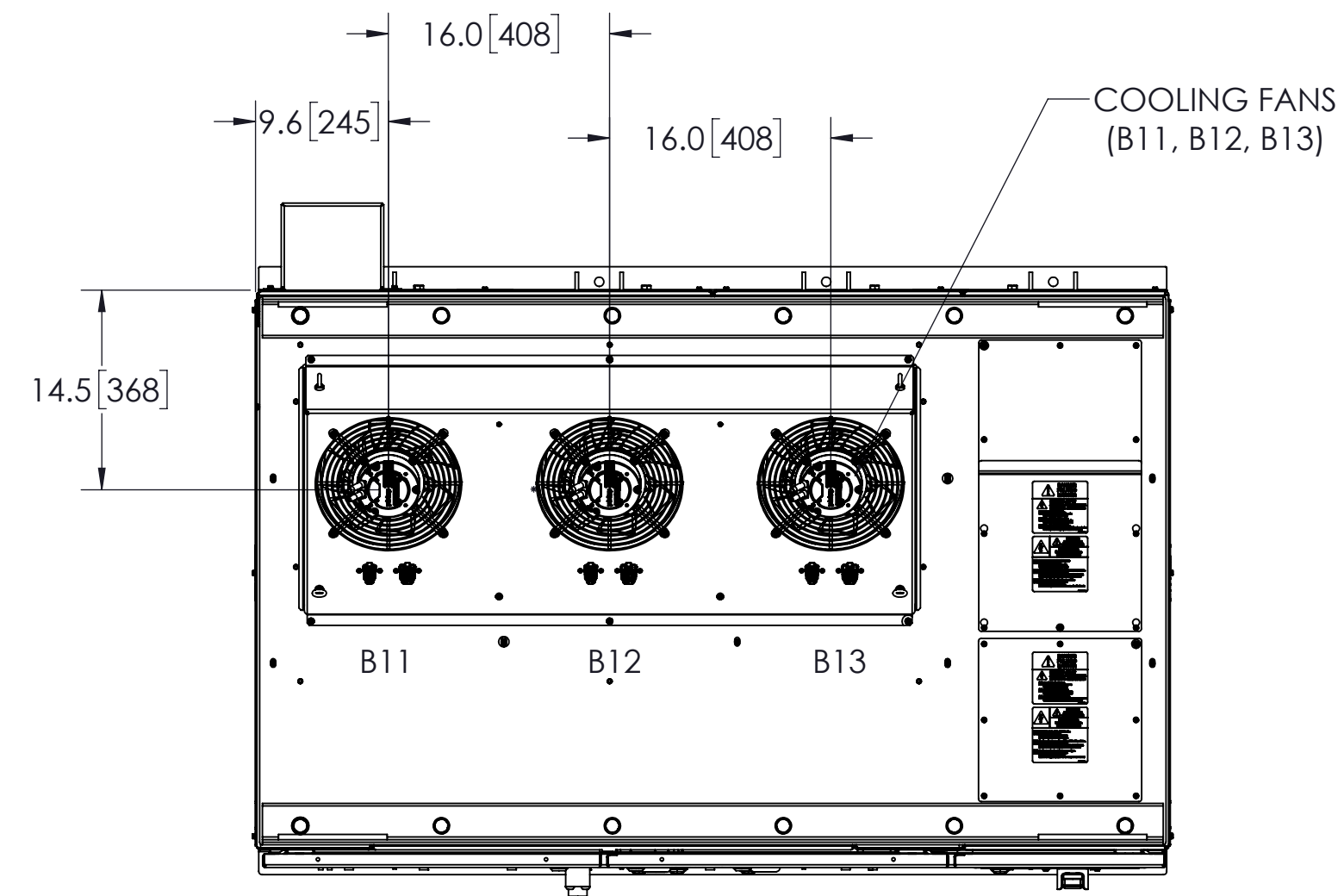
YASKAWA

THIS DOCUMENT AND INFORMATION CONTAINED IN IT ARE CONFIDENTIAL, AND CANNOT BE COPIED OR DISCLOSED IN WHOLE OR IN PART WITHOUT THE EXPRESS WRITTEN CONSENT OF YASKAWA AMERICA INC.

DRAWN: E. Rashed	DATE	TITLE: DIMENSIONAL DRAWING, MV1000, FRM 1, W/O SG
CHECKED: C. Michalek	DATE	
TECH:	DATE	
APPROVED: B. Schowanson	DATE	
ORIGINAL DESIGN: E. Rashed	DATE	

MATERIAL#	SEE TABLE	PAGE
SIZE D <td>REVISION A</td> <td>1 OF 2</td>	REVISION A	1 OF 2

DRAWING #: DD.MV1K.FR1.N1.NG.03



- NOTES:
- FOR REFERENCE UNLESS PROPERLY ENDORSED. FOR ADDITIONAL DETAILS AND SPECIFICATIONS, CONSULT YASKAWA AMERICA, INC.
 - DIMENSIONS ARE IN INCHES[MILLIMETERS]
 - USE APPROPRIATE TYPE RATED HUBS OR FITTINGS TO MAINTAIN ENCLOSURE RATING.
 - HATCHED AREA INDICATES PERMISSIBLE CABLE/CONDUIT ENTRANCE AREA.

YASKAWA		DRAWN: E. Rashed	DATE	TITLE DIMENSIONAL DRAWING
		CHECKED: C. Michalek	DATE	MV1000, FRM 1, W/O SG
		TECH: -	DATE	MATERIAL# SEE TABLE
		APPROVED: B. Schowanson	DATE	SIZE D REVISION A PAGE 2 OF 2
		ORIGINAL DESIGN: E. Rashed	DATE	DRAWING # DD.MV1K.FR1.N1.NG.03