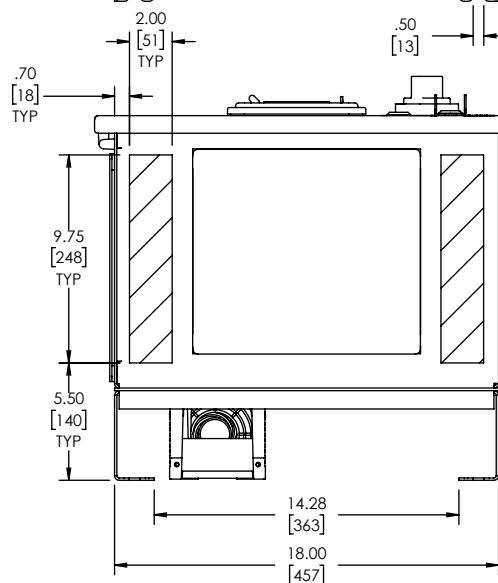
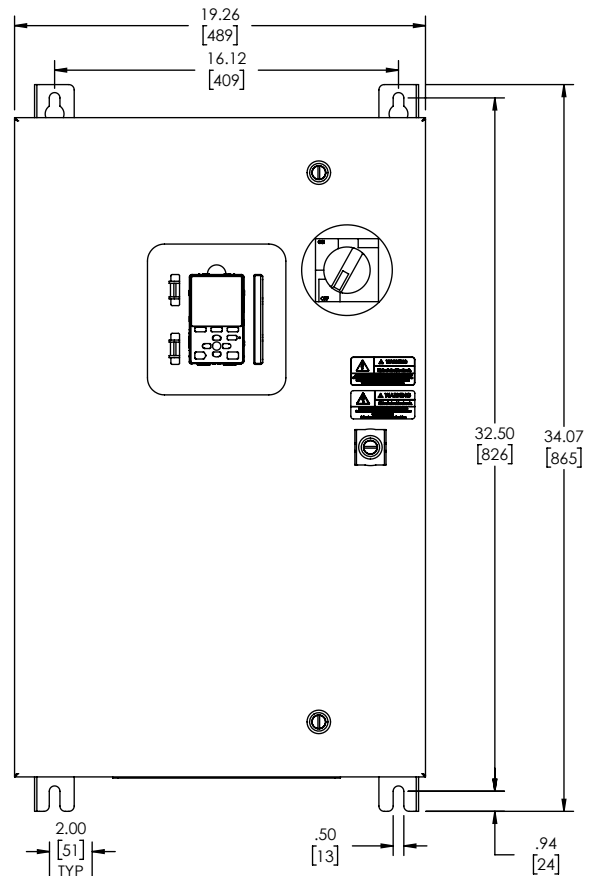
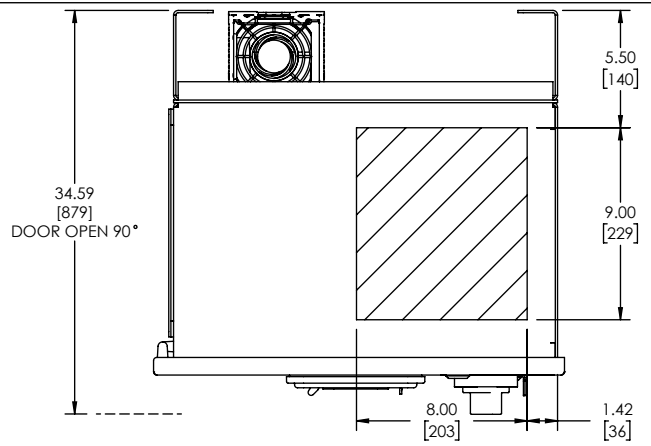
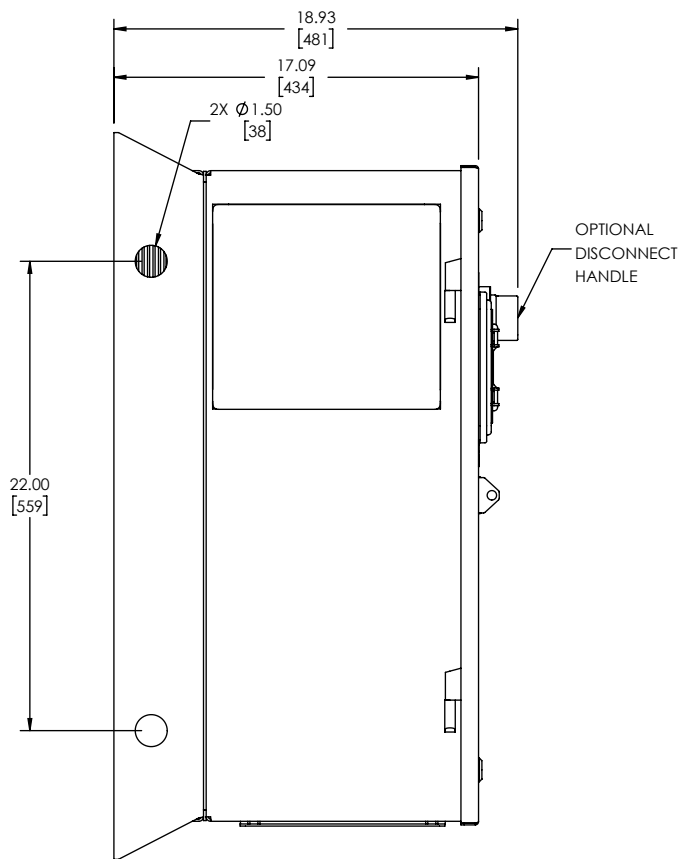


- NOTES:
- A. FOR REFERENCE UNLESS PROPERLY ENDORSED. FOR ADDITIONAL DETAILS AND SPECIFICATIONS, CONSULT YASKAWA AMERICA, INC.
 - B. DIMENSIONS ARE IN INCHES[MILLIMETERS]
 - C. USE APPROPRIATE TYPE RATED HUBS OR FITTINGS TO MAINTAIN ENCLOSURE RATING.
 - D. HATCHED AREA INDICATES PERMISSIBLE CONDUIT ENTRANCE AREA.

YASKAWA	ORIGINAL DESIGN: A. Jandrin	DATE: 11/5/2019	TITLE: DIMENSION DRAWING, HWF, T12, W1		
	DRAWN: A. Jandrin	DATE: 1/17/2020			
THIS DOCUMENT AND INFORMATION CONTAINED IN IT ARE CONFIDENTIAL AND CANNOT BE COPIED OR DISCLOSED IN WHOLE OR IN PART WITHOUT THE EXPRESS WRITTEN CONSENT OF YASKAWA AMERICA, INC.	CHECKED: D. Guckenberger	DATE: 1/17/2020	SIZE: A	REVISION: 00	PAGE: 1 OF 2
UNITS: INCHES	SCALE: NONE	APPROVED: K. Flierl	DATE: 1/17/2020	DRAWING #: DD.HWF.12.W1.01	



YASKAWA

THIS DOCUMENT AND INFORMATION CONTAINED IN IT ARE CONFIDENTIAL AND CANNOT BE COPIED OR DISCLOSED IN WHOLE OR IN PART WITHOUT THE EXPRESS WRITTEN CONSENT OF YASKAWA AMERICA INC.

UNITS: INCHES

SCALE: NONE

ORIGINAL DESIGN:

A. Jandrin

DRAWN:

A. Jandrin

CHECKED:

D. Guckenberger

APPROVED:

K. Flierl

DATE:

11/5/2019

DATE:

1/17/2020

DATE:

1/17/2020

DATE:

1/17/2020

TITLE:

DIMENSION DRAWING, HWF, T12, W1

SIZE:

A

REVISION:

00

PAGE:

2 OF 2

DRAWING #:

DD.HWF.12.W1.01