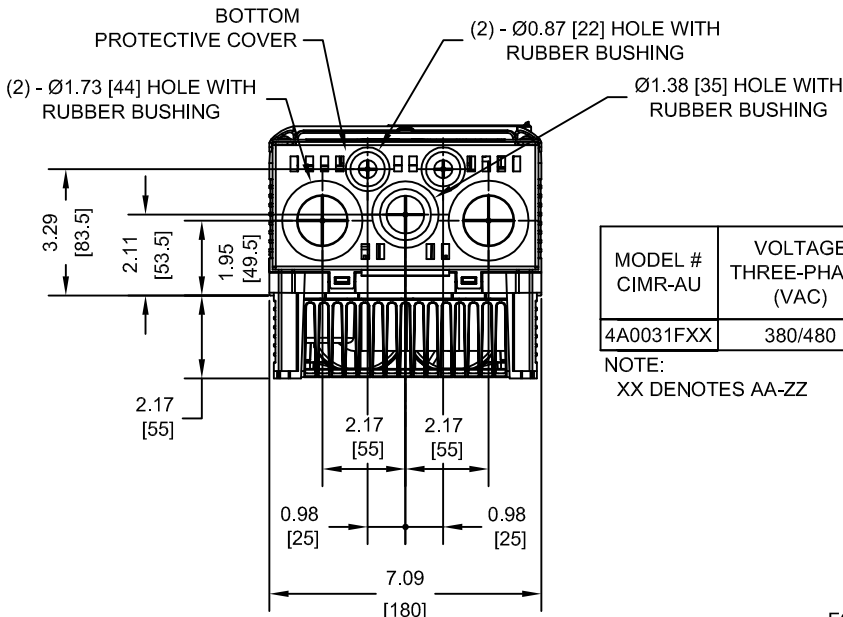
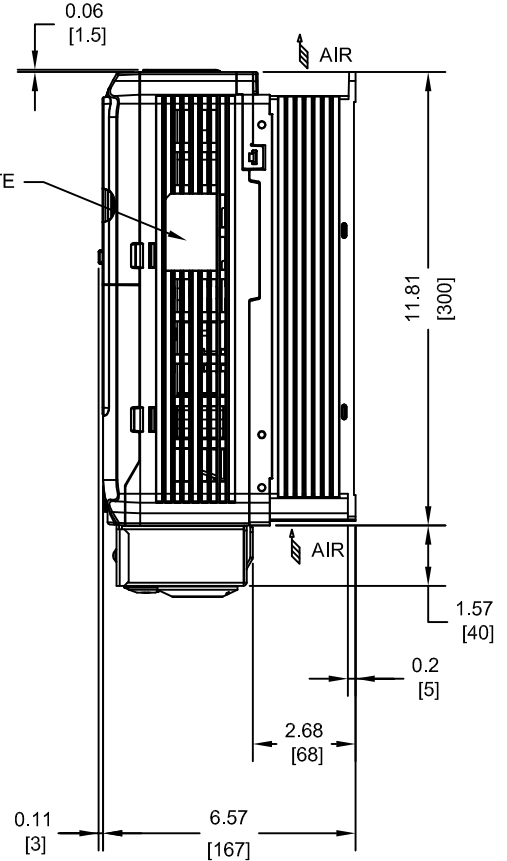
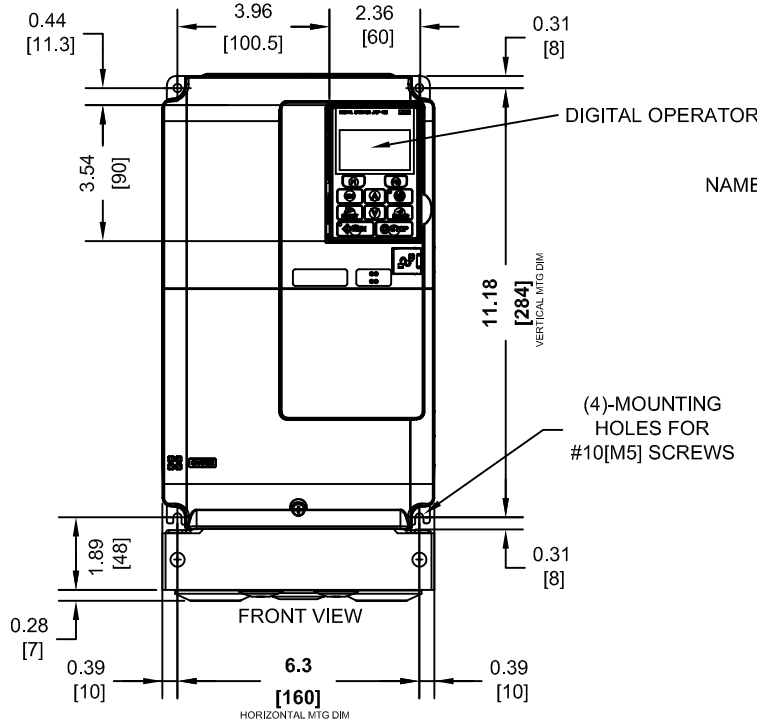


(2) EXTERNAL COOLING FANS

TOP PROTECTIVE COVER

**NOTE:**  
 PROTECTIVE COVERS ARE FACTORY INSTALLED TO THE TOP AND BOTTOM OF THE DRIVE TO MEET IP20 & NEMA TYPE 1 REQUIREMENTS, RESULTING IN AN AMBIENT TEMPERATURE RATING OF 104F(40C). REMOVE THESE COVERS WHEN OPERATING THE DRIVE WITHIN A PANEL TO OBTAIN THE MAXIMUM SURROUNDING AIR TEMPERATURE RATING OF 122F(50C). REMOVING THESE COVERS RESULTS IN AN ENCLOSURE RATING OF IP00.



MODEL # CIMR-AU	VOLTAGE THREE-PHASE (VAC)	OUTPUT CURRENT (A)		WEIGHT LBS (Kg)	HEAT LOSS (W)					
					ND (Fc=2kHz)			HD (Fc=8kHz)		
		ND	HD		INT	EXT	TOT	INT	EXT	TOT
4A0031FXX	380/480	31.0	24.0	12.5 (5.7)	160.5	294.6	455.2	115.1	208.0	323.2

**NOTE:**  
 XX DENOTES AA-ZZ

INT=INTERNAL COMPONENTS  
 EXT=EXTERNAL HEATSINK  
 TOT=TOTAL

FOR ADDITIONAL DETAILS AND SPECIFICATIONS, CONSULT MANUAL

TOLERANCES / REFERENCES:



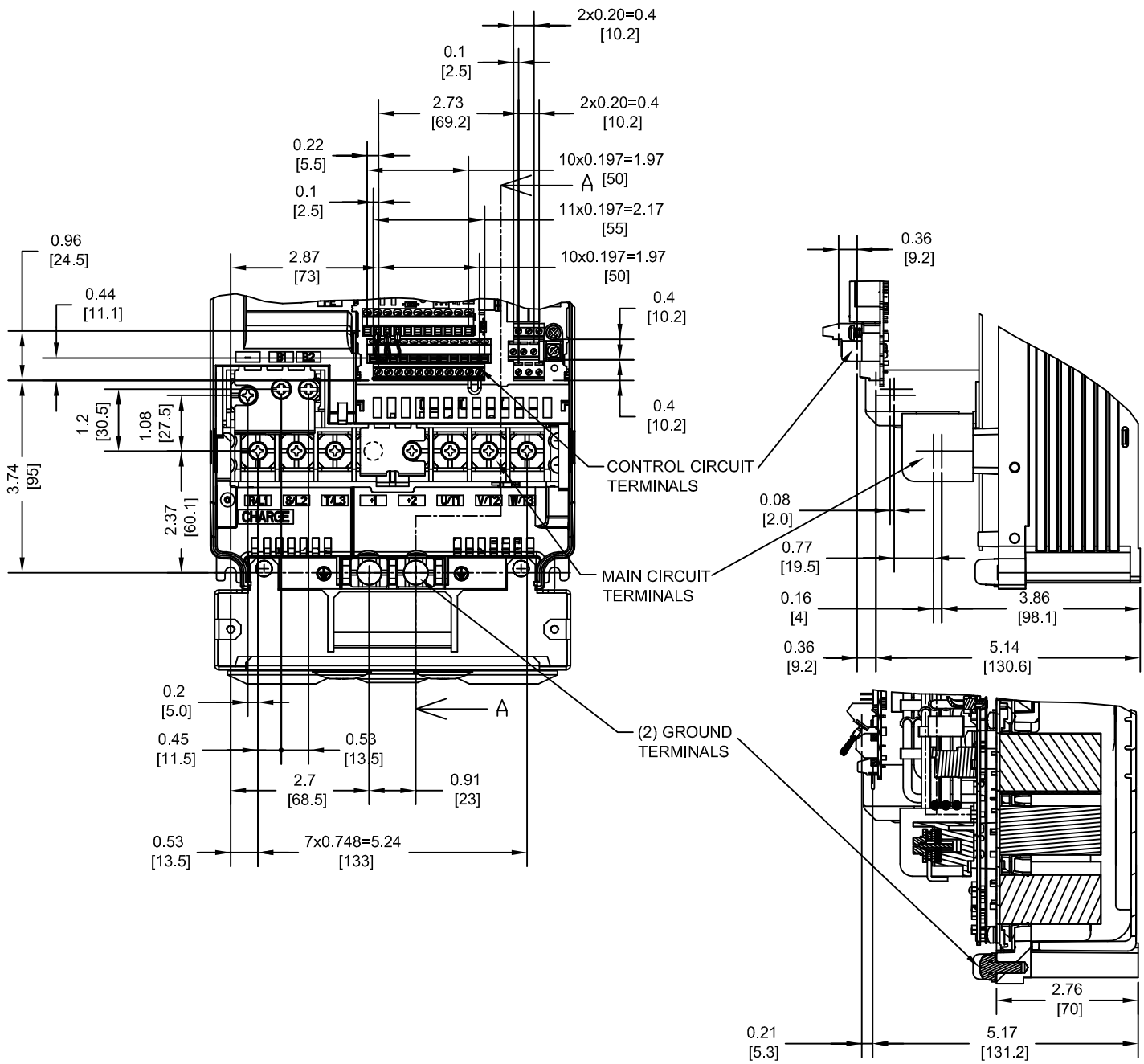
THIS DOCUMENT AND INFORMATION CONTAINED IN IT ARE CONFIDENTIAL, AND CANNOT BE COPIED OR DISCLOSED IN WHOLE OR IN PART WITHOUT THE EXPRESS WRITTEN CONSENT OF YASKAWA AMERICA, INC.

DRAWN: J. MATTAS	DATE 2-16-10	TITLE: A1000 DIMENSION DRAWING
CHECKED: J. PIOTROWSKI	DATE 3-8-10	FRAME SIZE 4
TECH: J. CAIRO	DATE 3-8-10	NEMA TYPE 1 ENCLOSURE
APPROVED: T. SASADA	DATE 3-8-10	4A0031
ORIGINAL DESIGN: -	DATE -	SIZE A
		REVISION R00
		PAGE 1 of 3
		DRAWING #: DD.A1K.FR4.N1

UNITS:  
IN [mm]

SCALE:  
1:5

TERMINAL AND WIRING DETAILS (SCALE 1:3)



TERMINAL AND WIRE SPECIFICATIONS FOR MAIN CIRCUIT AND GROUND

SECTION A-A

MODEL # CIMR-AU	TERMINAL SYMBOL	TERMINAL SCREW	CLAMPING TORQUE lb.in.(N.m.)	WIRE RANGE AWG(mm <sup>2</sup> )
4A0031	R/L1, S/L2, T/L3	M5	17.7 TO 22.1 (2 TO 2.5)	8-6 (10-16)
	U/T1, V/T2, W/T3			10-6 (6.0-16)
	⊖, ⊕1, ⊕2,			10-6 (6.0-16)
	B1, B2	10-8 (6.0-10)		
	⊕	M6	35.4 TO 53.1 (4 TO 6)	10-8 (6.0-10)

NOTE: REFER TO APPLICABLE CODES FOR PROPER WIRE TYPE AND SIZE

FOR ADDITIONAL DETAILS AND SPECIFICATIONS, CONSULT MANUAL

TOLERANCES / REFERENCES:			DRAWN: J. MATTAS DATE: 2-16-10	TITLE: A1000 DIMENSION DRAWING FRAME SIZE 4 NEMA TYPE 1 ENCLOSURE 4A0031		
THIS DOCUMENT AND INFORMATION CONTAINED IN IT ARE CONFIDENTIAL, AND CANNOT BE COPIED OR DISCLOSED IN WHOLE OR IN PART WITHOUT THE EXPRESS WRITTEN CONSENT OF YASKAWA AMERICA, INC.			CHECKED: J. PIOTROWSKI DATE: 3-8-10	TECH: J. CAIRO DATE: 3-8-10	REVISION R00	PAGE 2 of 3
UNITS: IN [mm]	SCALE: BY VIEW	APPROVED: T. SASADA DATE: 3-8-10	ORIGINAL DESIGN: -	DATE: -	DRAWING #: DD.A1K.FR4.N1	

